

**DEPARTMENT OF APPLIED MECHANICS
INDIAN INSTITUTE OF TECHNOLOGY
HAUZ KHAS, NEW DELHI 110 016**

NOTICE INVITING QUOTATIONS (NIQ)

Date: 7th Aug. 2015

Subject : **“Equipment fabrication for new Experimental Methods Laboratory”**.

Sealed quotations in two-bid (Technical and Commercial in separate sealed envelopes) are invited for **“Equipment fabrication for new Experimental Methods Laboratory”** as per the details given below, by **14th August 2015 (03.00 p.m.)**.

SPECIFICATIONS:

2. List of items required is as follows:

Sr. No.	Item Name and Description	Qty.	Material
1	Base Plate	10	SS 304
2	Support Rod	20	SS 304
3	Cantilever Support	10	SS 304
4	Pendulum	15	SS 304
5	Pivot	15	SS 304
6	Simple cantilever	15	SS 304
7	L Tube	10	SS 304
8	Miscellaneous 8. Nuts for item 2 (25.4mm BSW) 9. M4 bolts (6mm long) for item 3 10. M4 bolts (15mm long) for item 3 11. M5 bolts (10mm long) for item 3 12. M6 nuts (2mm width) for item 5 13. M3 bolts (8mm long) for item 6 14. Hook with M3 nut for item 6 (see drawing)	40 100 100 50 50 100 60	SS 304 SS 304 SS 304 Brass/Nylon SS 304 SS 304 SS 304
9	Optional items: 2. Strain gauges for items 6 and 7 (including mounting). Gauge specification: 5mm width, 10mm length, 120Ω metal film with Bakelite base.	100	

Drawings for all items attached. Buff finish on all parts. Corner fillet as per drawing.

2. Other terms and conditions:

- **Tender due date** : 14th Aug. 2015 (03:00 p.m.)

(The offers received after the due date and time will not be considered)

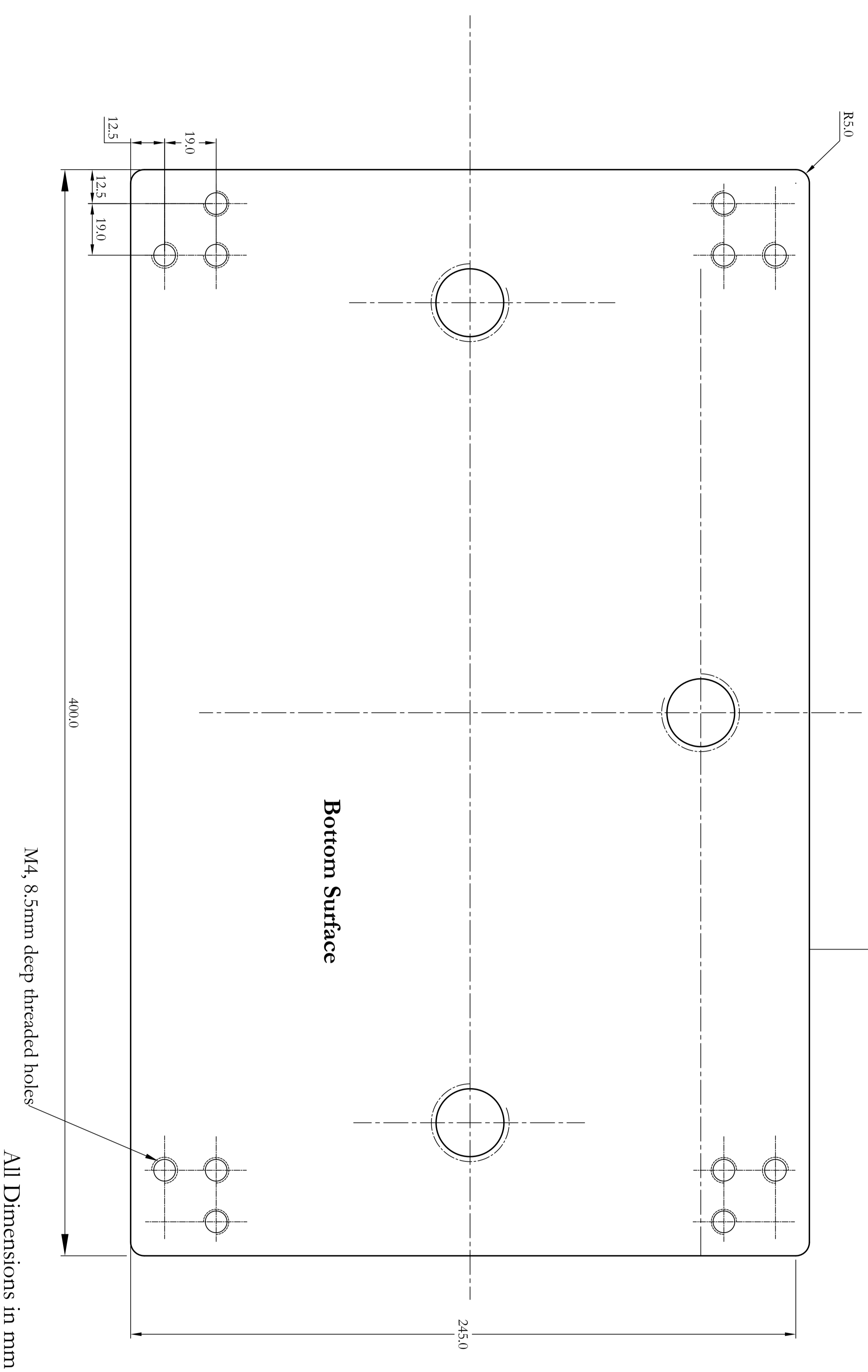
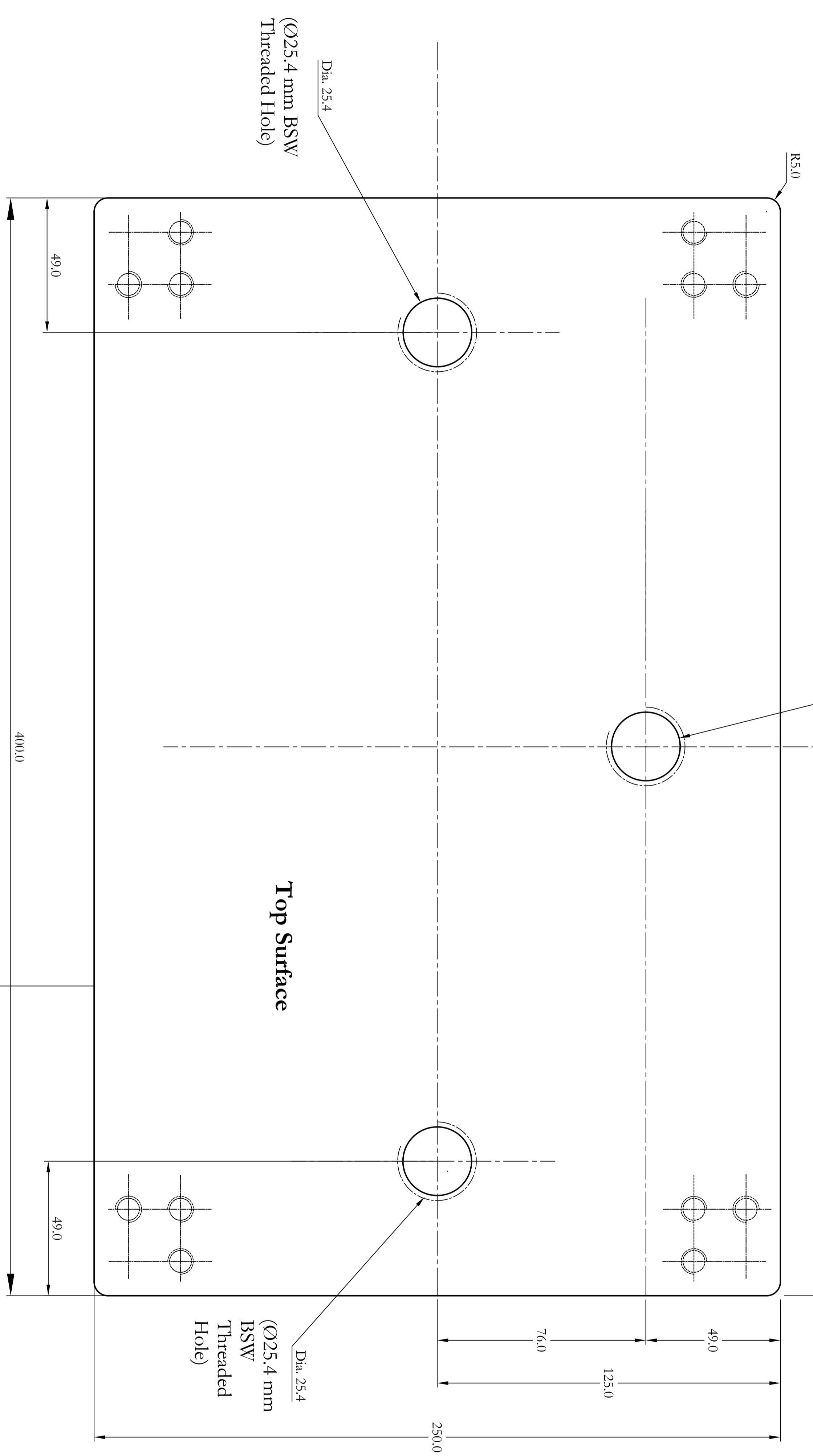
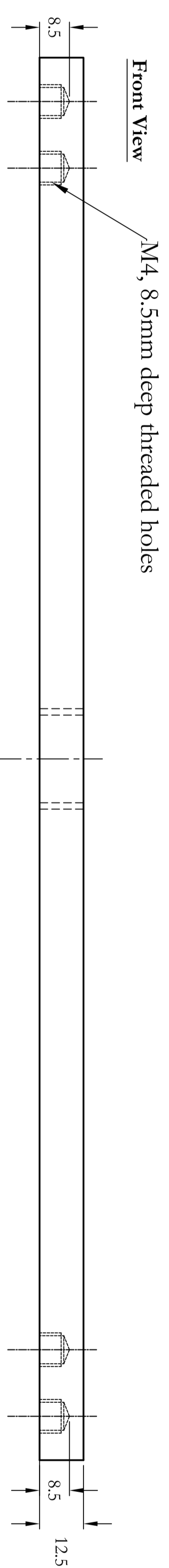
- **Validity of the quotation required** : 90 days
- **Warranty** : 1 year
- **Delivery:** : 3 weeks from date of order.
- **Payment** : 100% against delivery
(via NEFT/RTGS only)
- A detailed list showing number of items supplied by your company in last 2 years to various Government Organizations/ Institutions/ IITs / NITs with their full address, name of the contact person, fax number, mobile number, telephone Nos. and E-mail identity have to be attached with the bid.
- **Performance Security:** The supplier shall required to submit a performance security in the form of an irrevocable bank guarantee/DD issued by any Indian Nationalized Bank for an amount which is equal to the <5%> of total order value within 21 days from the date of receipt of the purchase order and should be kept valid for a period of 60 days beyond the date of completion of warranty period.
- **Preparation of Bids:** The offer/bid should be submitted in two bid systems (i.e.) Technical bid and financial bid. The technical bid should consist of all technical details along with commercial terms and conditions. Financial bid should indicate item wise price for the items mentioned in the technical bid. The Technical bid and the financial bid should be put in separate covers and sealed. Both the sealed covers should be put into a bigger cover and sealed. The tender number and details should be superscripted on the left side of the outer cover.
- **Delivery of Tender:** Quotations for the above items in a sealed cover should be submitted to “*Prof. Srinivas V. Veeravalli, Applied Mechanics Department, Indian Institute of Technology Delhi, Hauz Khas, New Delhi – 110 016*” .
- **Applicable Law:** The place of jurisdiction would be New Delhi (Delhi) INDIA.
- **IIT reserves the right to reject any or all the quotations without assigning any reason.**



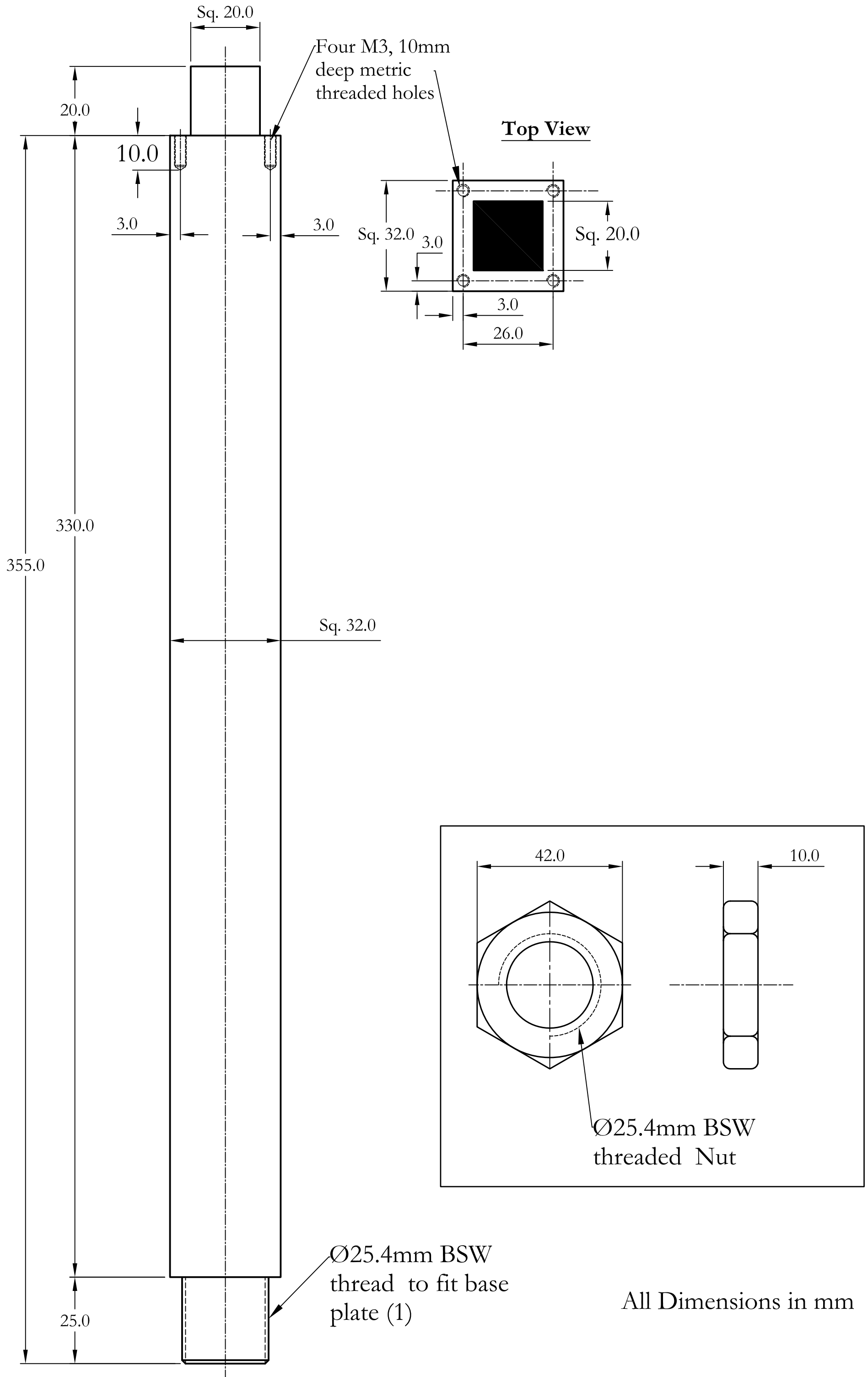
(Prof. S. V. Veeravalli)

Indenter PC No. 18944, Dt. 14-7-2015

1) BASE PLATE

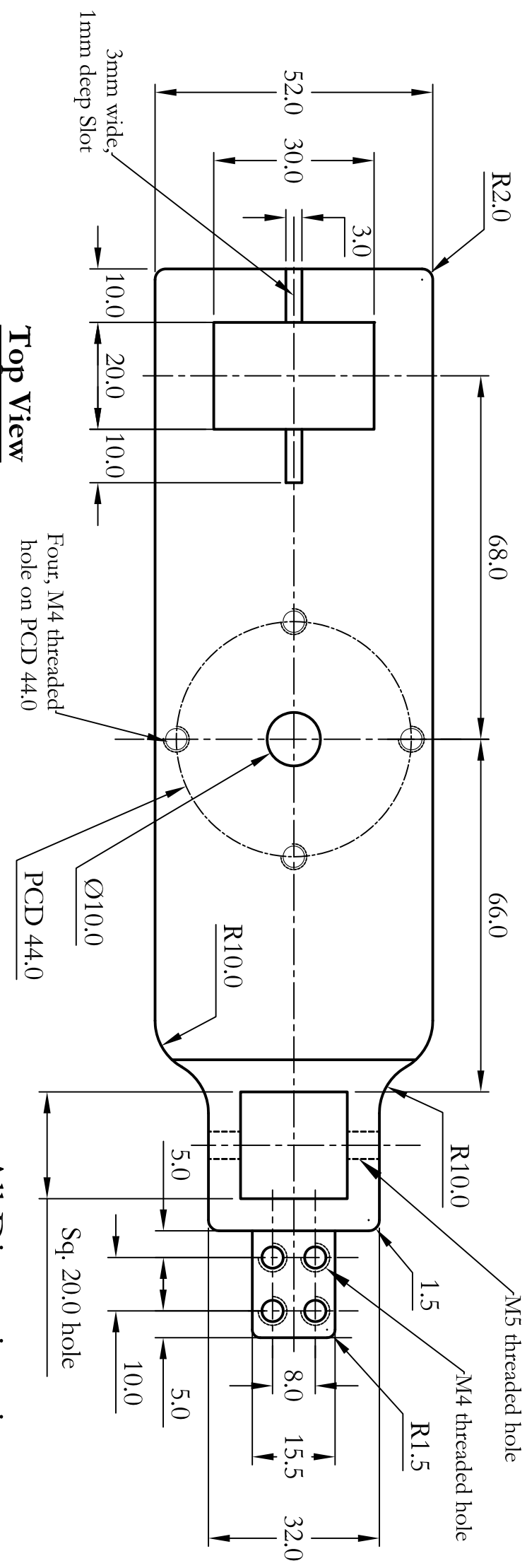
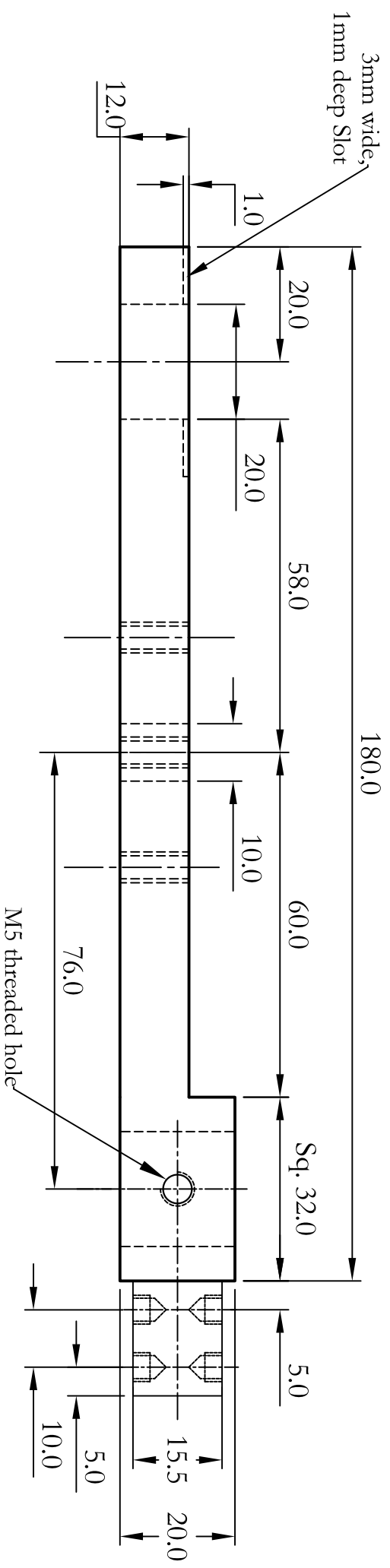


2) SUPPORT ROD



3) CANTILEVER FOR PENDULUM, LVDT & L Tube FOR STRAIN (Bending & Torsion)

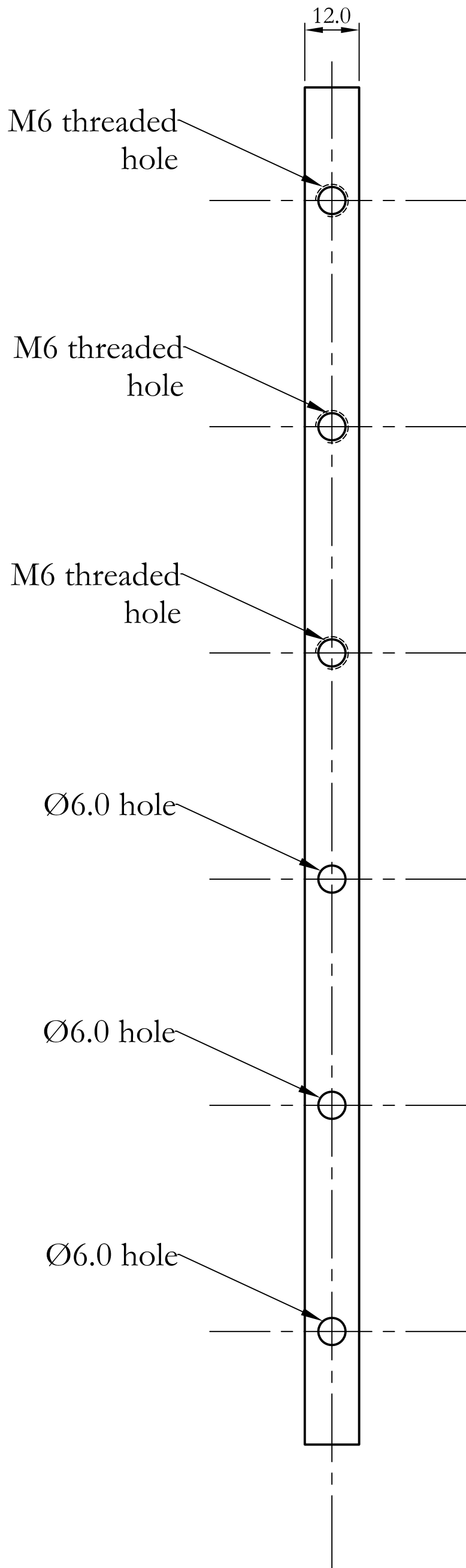
Front View



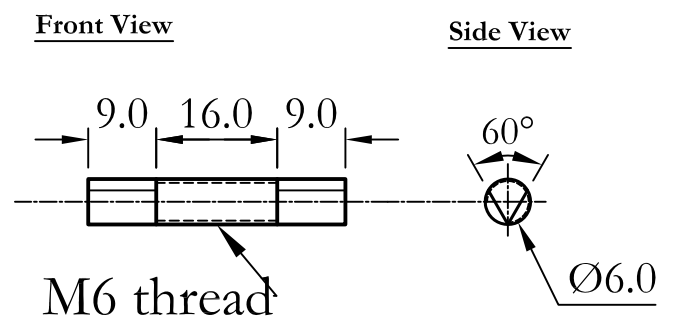
Top View

All Dimensions in mm

4) PENDULUM



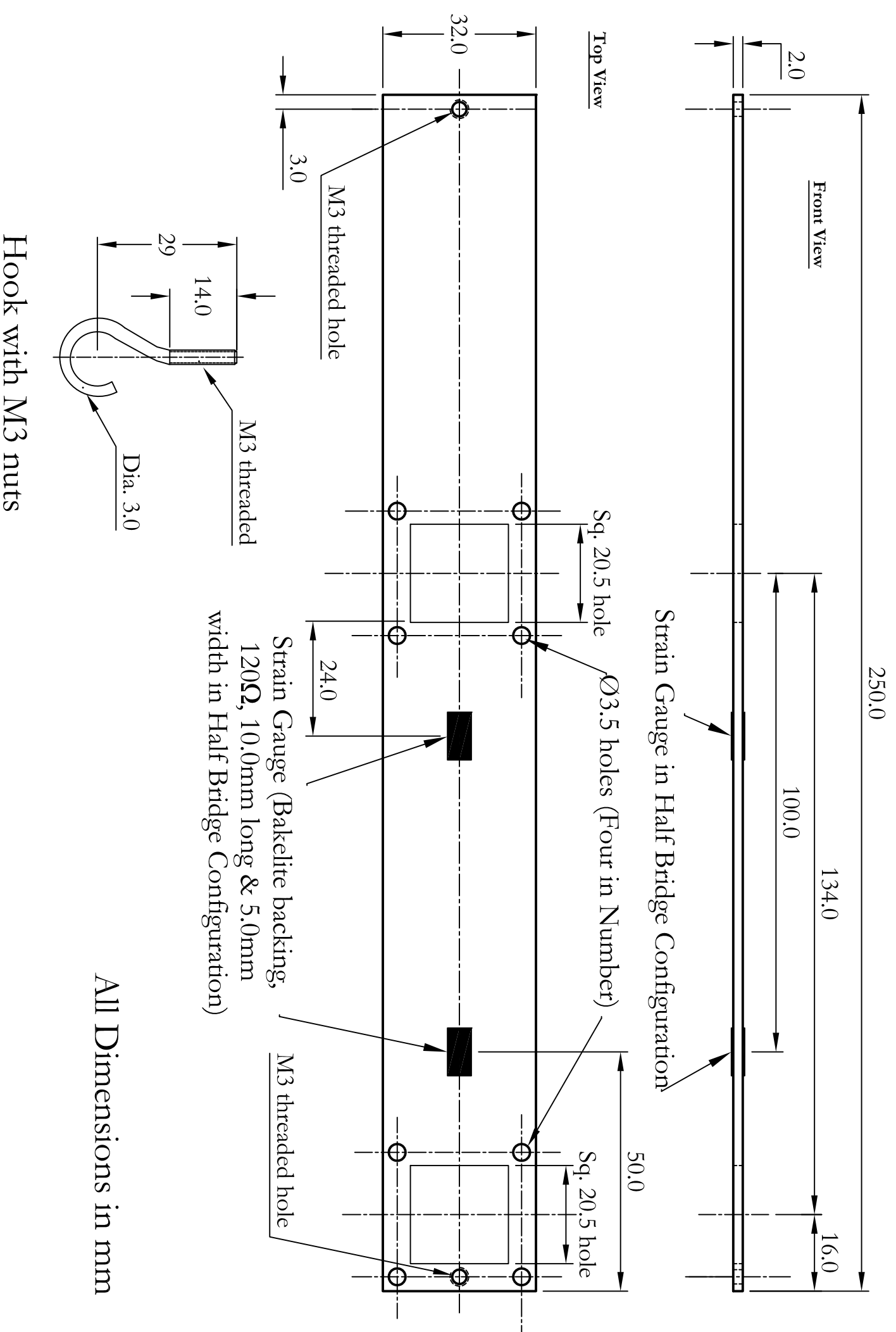
5) PIVOT



All Dimensions in mm

All Dimensions in mm

6) SIMPLE CANTILEVER



7) L TUBE FOR STRAIN (Bending & Torsion)

