



Notice Inviting Tender

**Renovation and modification of Auditorium Hall and waiting lounge in
Vishwakarma Bhawan at IIT Delhi.**

Sub Head: - Civil, Electrical & Fire Fighting Work.

Civil work amount	: Rs. 1,01,19,737/-
Electrical Work Amount	: Rs. 17,09,217/-
Total Amount	: Rs. 1,18,28,954/-

(WORKS DEPARTMENT)

INDIAN INSTITUTE OF TECHNOLOGY DELHI

HAUZ KHAS, NEW DELHI

INDIAN INSTITUTE OF TECHNOLOGY DELHI
HAUZ KHAS, NEW DELHI-110016

INDEX

Name of work: - Renovation and modification of Auditorium Hall and waiting lounge in Vishwakarma Bhawan at IIT Delhi.

Sub Head: - Civil, Electrical & Fire Fighting Works.

Sl. No.	Description	Page No.
1	Index	2
2.	Notice Inviting e-tender	3
3.	Part A	
	Information and instructions for bidders for e-tendering	4-7
	IITD-6 for e-Tendering and Terms & Conditions	8-23
	Integrity Pact	24-30
	Form of Earnest Money (Bank Guarantee)	31
	Performance Guarantee	32
	Form-F	33
	Annexure- I, II, III	34-36
4.	Part B	
	IITD 7/8 e-Tendering	37-39
	Schedule A-F	40-46
	Special Condition of Contract	47-49
	Chair Fixing Procedure and Annexure IV	50-51
	Guarantee Bond for Water Proofing	52
	List of Approved/Acceptable Make	53-57
	Online Bid Submission	58
5.	Part C	
	Schedule of Quantity	59-79

It is certified that this document contains three parts i.e. Part A, Part B & Part C containing page no. **1 to 79**.

Executive Engineer (ED-I)

Executive Engineer (CD-III)

NIT approved for **Rs. 1,18,28,954/- (Rupees One Crore Eighteen Lakh Twenty-Eight Thousand Nine Hundred Fifty-Four Only)**

Institute Engineer

**INDIAN INSTITUTE OF TECHNOLOGY DELHI
HAUZ KHAS, NEW DELHI-110016**

Notice Inviting e -Tender

The Executive Engineer (CD-III), IIT DELHI, HAUZ KHAS, New Delhi-16 (Phone No 011-2659-6237) on behalf of Board of Governors invite online **Item Rate Tender** from Firms/ Contractors Registered in appropriate class and category with CPWD, MES, BSNL, and Railways for **Civil work /Building works/ Building & Roads/Composite works** of the following work:

NIT No.	: IITD/EE(CD-III)/2022-23
Name of Work	:	Renovation and modification of Auditorium Hall and waiting lounge in Vishwakarma Bhawan at IIT Delhi. Sub Head: - Civil, Electrical & Fire Fighting Works.
Estimated cost	:	Rs. 1,18,28,954/-
Earnest Money	:	Rs. 2,36,580/-
Performance Guarantee	:	5 % of Tendered value
Security Deposit	:	2.5% of Tendered Value
Warranty	:	1 Year for all Civil and Electrical works. 5 Years for Specialized work i.e., water Proofing, Fire alarm and LED Lighting Fixtures.
Period for completion	:	04 Month
Late date & time for submission of bids	:	12/12/2023 upto 15.00 Hrs.
Date & Time of opening of Bids	:	13/12/2023 at 15.00 Hrs.

The bid forms and other details can be obtained from the website www.iitd.ac.in or e-Procure.gov.in free of cost. For more clarification you may visit on above website.

**Executive Engineer (CD-III),
For & on Behalf of BOG, IIT Delhi**

Budget Head: Renovation (Research Facility and Housing)/ 35.01.02 (IOE) / (2021/007/0107)

Copy to: -

1. Institute Engineer
2. Executive Engineer (CD-III) for information.
3. D.A. (Works Accounts)
4. D.R. (A/Cs) – for opening of uploaded documents **at 3:00 PM on 13/12/2023** in the office of D.R. Store
5. Notice Boards.
6. Office Copy
7. Web site Administrator, I.I.T.D.

PART 'A'
INDIAN INSTITUTE OF TECHNOLOGY DELHI
HAUZ KHAS: NEW DELHI – 110016
IITD/WORKS (SP- 4440)/2023

INFORMATION AND INSTRUCTIONS FOR BIDDERS FOR e-TENDERING (Tender Notice)
The Executive Engineer (CD-III), IIT DELHI, HAUZ KHAS, New Delhi-16 (Phone No 011-2659-6237) on behalf of Board of Governors invite online **Item Rate Tender** from Firms/ Contractors Registered in appropriate class and category with CPWD, MES, BSNL, and Railways for **Civil work /Building works/ Building & Roads/Composite works** of the following work:

SL. No.	NIT No.	Name of Work	Estimated Cost (in Rs.)	Earnest Money (in Rs.)	Tender Fees (in Rs.)	Time for Completion
1	/IITD/EE(CD-III)/2022-23.	Name of work: Renovation and modification of Auditorium Hall and waiting lounge in Vishwakarma Bhawan at IIT Delhi. Sub Head: - Civil, Electrical & Fire Fighting Work.	1,18,28,954/-	2,36,580/-	Nil	04 Month

Last date and time of submission of financial & Technical bid

: **12/12/2023 up to 3:00 pm (online)**

Date and time of opening of Technical bid : **13/12/2023 at 3.00 pm (office of D.R Store)** Price bids of eligible bidders as per NIT shall be opened at a later date after scrutiny of Technical bids.

1. The successful bidders shall be required to submit a performance guarantee of **5 %** of the tendered amount in the form of Bank Guarantee or F.D.R. from a Nationalized/Scheduled Bank within **15** days of issue of letter of intent before award of work. In case of failure by the Contractor to supply the performance guarantee within the specified period, full earnest money will be forfeited, and the tender shall be treated as void. The performance guarantee shall be initially valid up to the date of completion plus **60 (Sixty)** days beyond that.
2. Contractors who fulfill the following requirements shall be eligible to apply. Joint ventures are not accepted.
 - i) Firms/Contractors must have completed satisfactorily one similar work of value not less than **Rs. 94,63,000/-** or Two similar works each of value not less than **Rs. 70,97,000/-** or three similar works each of value not less than **Rs 47,32,000/-** during **last 7 years ending on previous day of last day of submission of bids.**
 - ii) **Earnest money of Rs. 2,36,580/-** in the form of Banker's cheque or Demand draft or fixed deposit receipt of a schedule bank drawn in favour of **Registrar, I.I.T. Delhi.** No relaxation in EMD will be allowed for MSMEs and MSEs as per CPWD Manual.
3. Similar work means **Composite works consisting of Civil and E&M.**
4. The intending bidder must read the terms and conditions of IITD-6 carefully. He should only submit his bid if he considers himself eligible and he is in possession of all the documents required.
5. Information and Instructions for bidders posted on the website shall form part of bid document.

6. The bid document consisting of plans, specifications, the schedule of quantities of various types of items to be executed and the set of terms and conditions of the contract to be complied with and other necessary documents can be seen and downloaded from website <http://eprocure.gov.in/eprocure/app> in free of cost.
7. Completion certificates issued by an officer not below the rank of Executive Engineer of similar works completed by the Agency.
8. Work means only work under Government/ Central Public Sector Undertaking / State Public Sector Under Central Autonomous bodies/ State Autonomous bodies/ City Development Authority/ Municipal Cooperation of City formed under any act by Central/ State Government and published in Central/ State Gazette.
9. The value of executed work shall be brought to current costing level by enhancing the actual value of work at simple rate of 7% per annum calculated from the date of completion to last date of submission of financial bid.
10. IITD is committed to follow the principle of transparency, equity, and competitiveness in public procurement. Before submission of bid each bidder should sign integrity pact at respective places and submit the bid, if duly signed integrity pact is not submitted by bidder such bid shall not be considered.
11. Those contractors not registered on the website mentioned above, are required to get registered beforehand. If needed they can be imparted training on online bidding process as per details available on the website
12. The intending bidder must have a valid class-III digital signature to submit the bid.
13. On the opening date, the contractor can login and see the bid opening process. After opening of bids, he will receive the competitor bid sheets.
14. Contractors can upload documents in the form of JPG format and PDF format.
15. The contractor must ensure to quote rate of each item, while selecting any of the cells a warning appears that if any cell is left blank the same shall be treated as "0". Therefore, if any cell is left blank and no rate is quoted by the bidder, the rate of such item shall be treated as "0" (ZERO).
16. The department reserves the right to reject any prospective application without assigning any reason and to restrict the list of qualified contractors to any number deemed suitable by it, if too many bids are received satisfying the laid down criterion.
17. In e-Tendering intending bidder can quote his rates in figures only. The rates in words against amount of each item and total is generated automatically. Therefore, the rate quoted by the bidder in figures will be taken as final.
18. The bid can only be submitted after uploading the mandatory scanned documents such as Demand Draft or Pay order or Banker`s Cheque or Deposit at call Receipt or Fixed Deposit Receipts and towards cost of EMD in favor of **Registrar IIT Delhi** to be deposited with <http://eprocure.gov.in/eprocure/app> / NEFT facility.
19. The physical EMD of the scanned copy of EMD uploaded shall be deposited by the lowest tenderer within a week after opening of financial bid failing which the tender shall be rejected.
20. The following undertaking in this regard shall be up-loaded by the intending bidders: **“the physical EMD shall be deposited by me / us with the Authority inviting the tender, in case I / we become the lowest tenderer, within a week of the opening of financial bid, otherwise, department may reject the tender and also take action to debar me / us from tendering in any form in IIT Delhi”**
21. **Copy of enlistment order and certificate of work experience and other documents as specified in the Press Notice / web notice shall be scanned and up-loaded to the e-Tendering website within the period of bid submission. However, certified / original copy of all the scanned and up-loaded documents as specified in press notice web / notice shall have to be submitted by the lowest bidder only along with physical EMD of the scanned copy of EMD**

uploaded within a week physically in the office of e-tendering authority and it shall be sole responsibility of lowest bidder.

22. **Online bid documents submitted by intending bidders shall be opened only of those bidders, who has deposited EMD and other documents scanned and uploaded are found in order.**
23. When bids are invited in two /three stages systems and if it is desired to submit revised financial bid it shall be mandatory to submit revised financial bid. If not submitted, then the bid submitted earlier shall become invalid – Not applicable.
24. **The bid submitted shall become invalid if:**
 - a. The bidder is found ineligible if he fails to upload documents from 1 to 11 on tender notice page 6.
 - b. The bidder does not upload all the documents (including GST registration) as stipulated in the bid document including the undertaking about deposition of physical EMD of the scanned copy of EMD uploaded etc.
 - c. If any discrepancy is noticed between the documents as uploaded at the time of submission of bid and hard copies as submitted physically by the lowest tenderer in the office of tender opening authority.
 - d. The lowest bidder does not deposit physical EMD within a week of opening of tender.
 - e. The Bidder does not upload ESI & EPF Registration.
25. Bid validity shall be **90 days** from last date of submission of bid.
26. Rate of bidders shall be considered inclusive of GST.

List of Documents to be scanned and uploaded within the period of bid submission:

1. Demand Draft/Pay order or Banker`s Cheque /Deposit at Call Receipt/FDR of any Scheduled Bank against EMD.
2. Enlistment order of contractor.
3. Certificate of work experience.
4. Certificate of Registration for GST and acknowledgement of up to date filed return of GST.
5. Affidavit as per Notice Inviting Tender Condition **1.3 at page 8** of NIT. (**Affidavit shall be purchased/ notarized between date of publishing and last date of submission of bids beside this NIT/Tender ID and name of work must be mentioned on the affidavit**).
6. Acceptance to execute INTEGRITY PACT.
7. Undertaking as per ‘**Sl. No. 20 on page No. 5**’ on firm’s letter head.
The physical EMD shall be deposited by me / us with the Authority inviting the tender, in case I / we become the lowest tenderer, within a week of the opening of financial bid, otherwise, department may reject the tender and also take action to debar me / us from tendering in any form in IIT Delhi.
8. ESI & EPF registration.
9. FORM “F” (Duly filled with all required details).
10. In case of Partnership firm if all the papers of tender not signed by all the partners than a power of attorney authorizing the person who has signed the tender paper must be uploaded with the tender documents.
11. Annexure-I (duly filled & signed by the bidders)
12. Annexure-II (duly filled & signed by the bidders)
13. Annexure-III (duly filled & signed by the bidders)

Note: - All Documents mentioned S.N-1 to 10 are mandatory for technically qualifying and document mentioned 11 to 13 are not mandatory.

**Executive Engineer (CD-III),
For & on Behalf of BOG, IIT Delhi
Hauz Khas, New Delhi-110016**

Budget Head: Renovation (Research Facility and Housing)/ 35.01.02 (IOE) / (2021/007/0107)

Copy to: -

- 1. Executive Engineer (CD-III) for information.**
- 2. D.A. (Works Accounts)**
- 3. D.R. (A/Cs) – for opening of tenders on 13/12/2023 at 3:00 PM in the office of D.R. Store**
- 4. Notice Boards.**
- 5. Office Copy**
- 6. Web site Administrator, I.I.T.D**
- 7. NIT: - Publicity on Website on Institute as well as on CPP portal <http://eprocure.gov.in> may be ensured as per instruction issued.**
- 8. E-tendering Web. <http://eprocure.gov.in/eprocure/app> or www.iitd.ac.in**

INDIAN INSTITUTE OF TECHNOLOGY DELHI
HAUZ KHAS: NEW DELHI – 110016
IITD-6 FOR e-TENDERING AND TERM & CONDITIONS

Item rate tenders are invited on behalf of Board of Governors from contractors/firms engaged/ register in appropriate category having completed work in appropriate category for the **work** as per tender notice.

1. The enlistment of the contractors should be valid on the last date of submission of tenders. In case the last date of submission of tender is extended, the enlistment of contractor should be valid on the original date of submission of tenders.
 - 1.1 The work is estimated to cost **as per tender notice** this estimate, however, is given merely as a rough guide.
 - 1.2 Details of criteria for eligibility As Indicated in “INFORMATION AND INSTRUCTIONS FOR CONTRACTORS FOR e- TENDERING FORMING PART OF NIT AND TO BE POSTED ON WEBSITE”
 - 1.3 To become eligible for issue of tender, the tenderer shall have to furnish an affidavit as under: -
I/We undertake and confirm that eligible similar works(s) has/have not been got executed through another contractor on back-to-back basis. Further that, if such a violation comes to the notice of Department, then I/we shall be debarred for tendering in IITD in future forever. Also, if such a violation comes to the notice of the Department before the date of start of work, the Engineer-in-Charge shall be free to forfeit the entire amount of Earnest Money Deposit/Performance Guarantee. (Scanned copy to be uploaded at the time of submission of bid)
2. Agreement shall be drawn with the successful bidders on prescribed Form No. IITD - 8 (or other Standard Form as mentioned) which is available as a Govt. of India Publication. Bidders shall quote his rates as per various terms and conditions of the said form which will form part of the agreement.
3. The time allowed for carrying out the work will be **as per tender notice** from the date of start as defined in schedule ‘F’ or from the first date of handing over of the site, whichever is later, in accordance with the phasing, if any, indicated in the tender documents.
4. **The site for the work shall be made available in parts as and when site will be available.**
5. The bid document consisting of plans, specifications, the schedule of quantities of various types of items to be executed and the set of terms and conditions of the contract to be complied with and other necessary documents except Standard General Conditions of Contract Form can be seen from the web Site <http://eprocure.gov.in/eprocure/app> or iitd.ac.in or e-procure.gov **free** of cost.
6. After submission of the bid the contractor can re-submit a revised bid any number of times but before last time and date of submission of tender as notified.
7. While submitting the revised bid, the contractor can revise the rate of one or more item(s) any number of times (he need not re-enter rate of all the items) but before last time and date of submission of tender as notified.
8. If it is desired to submit a revised financial bid then it shall be mandatory to submit a revised financial bid. If not submitted, then the tender submitted earlier shall become invalid.
9. Earnest Money in the form of Demand Draft or Pay order or Banker`s Cheque or Deposit at Call Receipt (drawn in favour of Registrar IIT Delhi, Hauz Khas, New Delhi) as specified of any Scheduled/ Nationalized Bank and shall be scanned & uploaded to the e- tendering website within the period of tender submission or through RTGS/ NEFT with UTR details and original should be deposited by lowest bidder within a week after the opening of financial bid in office of **Executive Engineer (CD-III), IIT Delhi, Hauz Khas, New Delhi**
 A part of earnest money is acceptable in the form of bank guarantee also. In such a case, 50% of earnest money or Rs. 20 lakhs, whichever is less, will have to be deposited in the shape prescribed above, and balance in shape of Bank Guarantee of any scheduled bank which is to be scanned and uploaded by the

intending bidders.

Interested contractor who wish to participate in the bid has also to make following payments in the form of Demand Draft/Pay order or Banker's Cheque of any Scheduled Bank and to be scanned and uploaded to the e-Tendering website within the period of bid submission:

<http://eprocure.gov.in/eprocure/app>.

10. The bid submitted shall become invalid if:
 - (i) The bidders are found not eligible.
 - (ii) The bidders do not upload all the documents (including GST registration/ **other documents as per Tender Notice**) as stipulated in the bid document.
 - (iii) If any discrepancy is noticed between the documents as uploaded at the time of submission of bid and hard copies as submitted physically in the office of tender opening authority.
 - (iv) The lowest bidder does not deposit physical EMD within a week of opening of tender.
 - (v) The Bidder does not upload ESI & EPF Registration
11. The time & date of submission & opening of financial bid of contractors qualifying the **criteria as per Tender Notice** shall be communicated to them at a later date.
12. The contractor whose bid is accepted will be required to furnish a performance guarantee of 5 % (Five Percent) of the tendered and accepted of the bid amount within the period specified in Schedule F. This guarantee shall be in the form of cash (in case guarantee amount is less than Rs. 10000/-) or Deposit at Call receipt of any scheduled bank/Banker's cheque of any scheduled bank/ Demand Draft of any scheduled bank/Pay order of any Scheduled Bank of any scheduled bank (in case guarantee amount is less than Rs. 1,00,000/-) or Government Securities or Fixed Deposit Receipts or irrevocable Bank Guarantee Bonds of any Scheduled Bank or the State Bank of India in accordance with the prescribed form. In case the contractor fails to deposit the said performance guarantee within the period as indicated in Schedule 'F' including the extended period if any, the Earnest Money deposited by the contractor shall be forfeited automatically without any notice to the contractor.
13. Intending Bidders are advised to inspect and examine the site and its surroundings and satisfy themselves before submitting their tenders as to the nature of the ground and sub-soil (so far as is practicable), the form and nature of the site, the means of access to the site, the accommodation they may require and in general shall themselves obtain all necessary information as to risks, contingencies and other circumstances which may influence or affect their tender. A tenderer shall be deemed to have full knowledge of the site whether he inspects it or not and no extra charge consequent on any misunderstanding or otherwise shall be allowed. The tenderer shall be responsible for arranging and maintaining at his own cost all materials, tools & plants, water, electricity access, facilities for workers and all other services required for executing the work unless otherwise specifically provided for in the contract documents. Submission of a tender by a tenderer implies that he has read this notice and all other contract documents and has made himself aware of the scope and specifications of the work to be done and of conditions and rates at which stores, tools and plant, etc. will be issued to him by the Government and local conditions and other factors having a bearing on the execution of the work.
14. The competent authority on behalf of the Board of Governors does not bind itself to accept the lowest or any other tender and reserves to itself the authority to reject any or all the tenders received without the assignment of any reason. All tenders in which any of the prescribed condition is not fulfilled or any condition including that of conditional rebate is put forth by the tenderer shall be summarily rejected.
15. Canvassing, whether directly or indirectly, in connection with tenders is strictly prohibited and the tenders submitted by the contractors who resort to canvassing will be liable to rejection.
16. The competent authority on behalf of the Board of Governors reserves himself the right to accept the whole or any part of the tender and the tenderer shall be bound to perform the same at the rate quoted.
17. The contractor shall not be permitted to tender for works in the IITD responsible for award and execution of contracts, in which his near relative is posted a Divisional Accountant or as an officer in any capacity between the grades of Superintending Engineer and Junior Engineer (both inclusive). He shall also intimate the names of persons who are working with him in any capacity or are subsequently employed by him and who are near relatives to any gazetted officer in the Central Public Works Department or in the Ministry of

Urban Development. Any breach of this condition by the contractor would render him liable to be removed from the approved list of contractors of this Department.

18. No Engineer of gazetted rank or other Gazetted Officer employed in Engineering or Administrative duties in an Engineering Department of the Government of India is allowed to work as a contractor for a period of one year after his retirement from Government service, without the previous permission of the Government of India in writing. This contract is liable to be cancelled if either the contractor or any of his employees is found any time to be such a person who had not obtained the permission of the Government of India as afore said before submission of the tender or engagement in the contractor's service.
19. The tender for the works shall remain open for acceptance for a period of **Ninety (90)** days from last date of submission of bid, if any tenderer withdraws his tender before the said period or issue of letter of acceptance, whichever is earlier, or makes any modifications in the terms and conditions of the tender which are not acceptable to the department, then the Government shall, without prejudice to any other right or remedy, be at liberty to forfeit 50% of the said earnest money as aforesaid. Further the tenderer shall not be allowed to participate in the retendering process of the work.
20. This notice inviting Tender shall form a part of the contract document. The successful tenderer / contractor, on acceptance of his tender by the Accepting Authority shall within 15 days from the stipulated date of start of the work, sign the contract consisting of: -
 - a) The Notice Inviting Tender, all the documents including additional conditions, specifications, and drawings, if any, forming part of the tender as uploaded at the time of invitation of tender and the rates quoted online at the time of submission of bid and acceptance thereof together with any correspondence leading thereto.
 - b) Standard IITD Form - 8 or other Standard IITD Form as mentioned.
21. In case any discrepancy is noticed between the documents as uploaded at the time of submission of the bid online and hard copies as submitted physically in the office of Executive Engineer, then the bid submitted shall become invalid.

Executive Engineer (CD-III)
IIT Delhi, Hauz Khas
New Delhi - 110016

NOTICE INVITING TENDER

INDIAN INSTITUTE OF TECHNOLOGY DELHI

HAUZ KHAS, NEW DELHI-110016

Terms & Conditions

Indian Institute of Technology Delhi is in the process of purchasing following item(s) as per details as given as under.

Details of the item	As per Tender Notice
Earnest Money Deposit to be submitted	Rs. 2,36,580/-
Warranty	As per Tender Notice, NIT & IITD form 8
Performance security	As per Tender Notice, NIT & IITD form 8

Tender Documents may be downloaded from Central Public Procurement Portal <http://eprocure.gov.in/eprocure/app>. Aspiring Bidders who have not enrolled / registered in e-procurement should enroll / register before participating through the website <http://eprocure.gov.in/eprocure/app>. The portal enrolment is free of cost. Bidders are advised to go through instructions provided at ‘Instructions for online Bid Submission ‘.

Tenderers can access tender documents on the website (For searching in the NIC site, kindly go to Tender Search option and type ‘IIT’. Thereafter, click on “GO” button to view all IIT Delhi tenders). Select the appropriate tender and fill them with all relevant information and submit the completed tender document online on the website <http://eprocure.gov.in/eprocure/app> as per the schedule given in the next page.

No manual bids will be accepted. All quotes (both Technical and Financial should be submitted in the E-procurement portal).

Schedule

Name of Organization	Indian Institute of Technology, Delhi	
Tender Type (Open/Limited/EOI/Auction/Single)	Open	
Tender Category (Services/Goods/works)	Works	
Type/Form of Contract (Work/Supply/Auction/Service/Buy/Empanelment/ Sell)	Works	
Product Category (Civil Works/Electrical Works/Fleet Management/ Computer Systems)	Civil Works.	
Source of Fund (Institute/Project)	<u>Renovation (Research Facility and Housing)/ 35.01.02 (IOE) / (2021/007/0107)</u>	
Is Multi Currency Allowed	No	
Date of Issue/Publishing	04/12/2023 (16.00 Hrs)	
Document Download/Sale Start Date	04/12/2023 (16.00 Hrs)	
Document Download/Sale End Date	12/12/2023 (15.00 Hrs)	
Date for Pre-Bid Conference	Nil	
Venue of Pre-Bid Conference	---	
Last Date and Time for Uploading of Bids	12/12/2023 (15.00 Hrs)	
Date and Time of Opening of Technical Bids	13/12/2023 (15.00 Hrs)	
Tender Fee	Nil	
EMD	Rs. 2,36,580/-	Name of the Bank A/C : Registrar IIT Delhi SBI A/C No. 10773572622 Name of the Bank : State Bank of India, IIT Delhi, Hauz Khas, New Delhi-110016 IFSC Code : SBIN0001077 MICR Code :110002156 Swift No. : SBININBB547 (This is mandatory that UTR Number is provided in the on- line quotation/bid. (Kindly refer to the UTR Column of the Declaration Sheet at Annexure-II) <u>or as per NIT/ Tender notice</u>
No. of Covers (1/2/3/4)	02	
Bid Validity days (180/120/90/75/60/30)	90 days (From last date of Submission of bid)	
Address for Communication	Office of the Executive Engineer (Civil Division-III), Room No- MZ-137, Main Building, IIT Delhi, Hauz Khas, New Delhi-110016	
Contact No.	011-2659-6237	
Fax No.	Nil	
Email Address	a26516@admin.iitd.ac.in	

Instructions for Online Bid Submission:

As per the directives of Department of Expenditure, this tender document has been published on the Central Public Procurement Portal ([URL:http://eprocure.gov.in/eprocure/app](http://eprocure.gov.in/eprocure/app)). The bidders are required to submit soft copies of their bids electronically on the CPP Portal, using valid Digital Signature Certificates. The instructions given below are meant to assist the bidders in registering on the CPP Portal, prepare their bids in accordance with the requirements and submitting their bids online on the CPP Portal.

More information useful for submitting online bids on the CPP Portal may be obtained at: <http://eprocure.gov.in/eprocure/app>

REGISTRATION

- 1) Bidders are required to enroll on the e-Procurement module of the Central Public Procurement Portal ([URL:http://eprocure.gov.in/eprocure/app](http://eprocure.gov.in/eprocure/app)) by clicking on the link “Click here to Enroll”. Enrolment on the CPP Portal is free of charge.
- 2) As part of the enrolment process, the bidders will be required to choose a unique username and assign a password for their accounts.
- 3) Bidders are advised to register their valid email address and mobile numbers as part of the registration process. These would be used for any communication from the CPP Portal.
- 4) Upon enrolment, the bidders will be required to register their valid Digital Signature Certificate (Class II or Class III Certificates with signing key usage) issued by any Certifying Authority recognized by CCA India (e.g. Sify / TCS / nCode / eMudhra etc.), with their profile.
- 5) Only one valid DSC should be registered by a bidder. Please note that the bidders are responsible to ensure that they do not lend their DSCs to others which may lead to misuse.
- 6) Bidder then logs in to the site through the secured log-in by entering their userID / password and the password of the DSC / eToken.

SEARCHING FOR TENDER DOCUMENTS

- 1) There are various search options built in the CPP Portal, to facilitate bidders to search active tenders by several parameters. These parameters could include Tender ID, organization name, location, date, value, etc. There is also an option of advanced search for tenders, wherein the bidders may combine a number of search parameters such as organization name, form of contract, location, date, other keywords etc. to search for a tender published on the CPP Portal.
- 2) Once the bidders have selected the tenders they are interested in, they may download the required documents / tender schedules. These tenders can be moved to the respective ‘My Tenders’ folder. This would enable the CPP Portal to intimate the bidders through SMS / e-mail in case there is any corrigendum issued to the tender document.
- 3) The bidder should make a note of the unique Tender ID assigned to each tender, in case they want to obtain any clarification / help from the Helpdesk.

PREPARATION OF BIDS

- 1) Bidder should take into account any corrigendum published on the tender document before submitting their bids.
- 2) Please go through the tender advertisement and the tender document carefully to understand the documents required to be submitted as part of the bid. Please note the number of covers in which the bid documents have to be submitted, the number of documents - including the names and content of each of the documents that need to be submitted. Any deviations from these may lead to rejection of the bid.
- 3) The bidder, in advance, should get ready the bid documents to be submitted as indicated in the tender document / schedule and generally, they can be in PDF / XLS / RAR / DWF formats. Bid documents may be scanned with 100 dpi with black and white option.

- 4) To avoid the time and effort required in uploading the same set of standard documents which are required to be submitted as a part of every bid, a provision of uploading such standard documents (e.g., PAN card copy, annual reports, auditor certificates etc.) has been provided to the bidders. Bidders can use “My Space” area available to them to upload such documents. These documents may be directly submitted from the “My Space” area while submitting a bid and need not be uploaded again and again. This will lead to a reduction in the time required for the bid submission process.

SUBMISSION OF BIDS

- 1) Bidder should log into the site well in advance for bid submission so that he/she upload the bid in time
i.e., on or before the bid submission time. Bidder will be responsible for any delay due to other issues.
- 2) The bidder has to digitally sign and upload the required bid documents one by one as indicated in the tender document.
- 3) The bidder has to select the payment option as “on-line” to pay the tender fee / EMD as applicable and enter details of the instrument. Whenever EMD / Tender fees is sought, bidders need to pay the tender fee and EMD separately on-line through RTGS (Refer to Schedule, Page No.2).
- 4) A standard BoQ format has been provided with the tender document to be filled by all the bidders. Bidders are requested to note that they should necessarily submit their financial bids in the format provided and no other format is acceptable. Bidders are required to download the BoQ file, open it and complete the white coloured (unprotected) cells with their respective financial quotes and other details (such as name of the bidder). No other cells should be changed. Once the details have been completed, the bidder should save it and submit it online, without changing the filename. If the BoQ file is found to be modified by the bidder, the bid will be rejected.

OR

In some cases Financial Bids can be submitted in PDF format as well (in lieu of BOQ).

- 5) The server time (which is displayed on the bidders’ dashboard) will be considered as the standard time for referencing the deadlines for submission of the bids by the bidders, opening of bids etc. The bidders should follow this time during bid submission.
- 6) All the documents being submitted by the bidders would be encrypted using PKI encryption techniques to ensure the secrecy of the data. The data entered cannot be viewed by unauthorized persons until the time of bid opening. The confidentiality of the bids is maintained using the secured Socket Layer 128 bit encryption technology. Data storage encryption of sensitive fields is done.
- 7) The uploaded tender documents become readable only after the tender opening by the authorized bid openers.
- 8) Upon the successful and timely submission of bids, the portal will give a successful bid submission message & a bid summary will be displayed with the bid no. and the date & time of submission of the bid with all other relevant details.
- 9) Kindly add scanned PDF of all relevant documents in a single PDF file of compliance sheet.

ASSISTANCE TO BIDDERS

1. Any queries relating to the tender document and the terms and conditions contained therein should be addressed to the Tender Inviting Authority for a tender or the relevant contact person indicated in the tender.
2. Any queries relating to the process of online bid submission or queries relating to CPP Portal in general may be directed to the 24x7 CPP Portal Helpdesk. The contact number for the helpdesk is 1800 233 7315.

General Instructions to the Bidders

- 1) The tenders will be received online through portal <http://eprocure.gov.in/eprocure/app> . In the Technical Bids, the bidders are required to upload all the documents in .pdf format.
- 2) Possession of a Valid Class II/III Digital Signature Certificate (DSC) in the form of smart card/e-token in the company's name is a prerequisite for registration and participating in the bid submission activities through <https://eprocure.gov.in/eprocure/app>. Digital Signature Certificates can be obtained from the authorized certifying agencies, details of which are available in the web site <https://eprocure.gov.in/eprocure/app> under the link "Information about DSC".
- 3) Tenderer are advised to follow the instructions provided in the 'Instructions to the Tenderer for the e- submission of the bids online through the Central Public Procurement Portal for e-Procurement at <https://eprocure.gov.in/eprocure/app>.

Terms & Conditions Details

S.No.	Specification
1.	Due date: The tender must be submitted on-line before the due date. The offers received after the due date and time will not be considered. No manual bids will be considered.
2.	Preparation of Bids: The offer/bid should be submitted in two bid systems (i.e.) Technical bid and financial bid. The technical bid should consist of all technical details along with commercial terms and conditions. Financial bid should indicate item wise price for the items mentioned in the technical bid in the given format i.e BOQ_XXXX. OR Financial Bids to be submitted in Excel. The Technical bid and the financial bid should be submitted Online.
3.	EMD (if applicable): As per NIT
4.	Refund of EMD :- As per NIT
5.	Opening of the tender: As per Tender Notice, NIT & IITD form 8
6.	Acceptance/ Rejection of bids: The competent authority of IIT Delhi reserves the right to reject any or all offers without assigning any reason.
7.	Pre-qualification criteria: - Mentioned in Tender notice
8.	Performance Security:- Mentioned in Tender notice
9.	Force Majeure :- As per IITD form 8
10.	Risk & Cost Clause : As per IITD form 8
11.	Delivery and Documents: As per Tender Notice & NIT & IITD form 8
12.	Delayed delivery: As per Tender Notice & NIT & IITD form 8
13.	Prices: As per Tender Notice & NIT & IITD form 8
14.	Progress of Work : As per Tender Notice & NIT & IITD form 8
15.	Inspection and Tests: As per Tender Notice & NIT & IITD form 8
16.	Resolution of Disputes: As per Tender Notice & NIT & IITD form 8
17.	Applicable Law: As per Tender Notice & NIT & IITD form 8
18.	Supplier Integrity : As per Tender Notice & NIT & IITD form 8
19.	Training : As per Tender Notice & NIT & IITD form 8
20.	Installation & Demonstration : As per Tender Notice & NIT & IITD form 8

21.	Incidental services: As per Tender Notice & NIT & IITD form 8
22.	Defect liability Period : As per Tender Notice & NIT & IITD form 8
23.	Governing Language : As per Tender Notice & NIT & IITD form 8
24.	Applicable Law : As per Tender Notice & NIT & IITD form 8
25.	Notices : As per Tender Notice & NIT & IITD form 8
26.	Taxes : As per Tender Notice & NIT & IITD form 8
27.	Termination for Default : As per Tender Notice & NIT & IITD form 8
28.	Disputes and Jurisdiction: As per Tender Notice & NIT & IITD form 8
29.	Completion certificate: As per Tender Notice & NIT & IITD form 8

Bid Submission**Online Bid Submission:**

The Online bids (complete in all respect) must be uploaded online in two Envelops as explained below: -

Bid Document – 1			
(Following documents to be provided as single PDF file)			
Sl. No.	Documents	Content	File Types
1.	Technical Bid	Compliance Sheet as per Annexure – I	.PDF
2.		Organization Declaration Sheet as per Annexure – II	.PDF
3.		List of organizations/ clients where the same products have been supplied (in last two years) along with their contact number(s). (Annexure-III)	.PDF
4.		Technical supporting documents in support as per Page-6 of NIT	.PDF
Bid Document – 2			
Sl. No.	TYPES	Content	
1.	Financial Bid	Price bid should be submitted in Excel format.	.xls

**INDIAN INSTITUTE OF TECHNOLOGY, DELHI
HAUZ KHAS, NEW DELHI -
110016 NOTICE INVITING
TENDER**

Item rate tenders are invited on behalf of The Board of Governors, I.I.T. Delhi, Hauz Khas, New Delhi - 16 from approved and eligible contractors of **CPWD** and those of appropriate class of **M.E.S., BSNL and Railway** dealing with **Civil work / Building work/ Building & Road / Composite works** for the work of **Renovation and modification of Auditorium Hall and waiting lounge in Vishwakarma Bhawan at IIT Delhi.**

Sub Head: - Civil, Electrical & Fire Fighting Work.

1. The enlistment of the contractors should be valid on the last date of submission of tenders. In case only the last date of submission of tender is extended, the enlistment of contractor should be valid on the original date of submission of tenders.
- 1.1 The work is estimated to cost Rs. **1,18,28,954/-** This estimate, however, is given merely as a rough guide.
- 1.1.1 The authority competent to approve NIT for the combined cost and belonging to the major discipline will consolidate NITs for calling the bids. He will also nominate Division which will deal with all matters relating to the invitation of bids.

For composite bid, besides indicating the combined estimated cost put to tender, should clearly indicates the estimated cost of each component separately. The eligibility of bidders will correspond to the combined estimated cost of different components put to bid.
- 1.2 Intending bidder is eligible to submit the bid provided he has definite proof from the appropriate authority, which shall be to the satisfaction of the competent authority, of having satisfactorily completed similar works of magnitude specified below: -

Criteria of eligibility for submission of bid documents.

1.2.1 Criteria of eligibility for CPWD as well as non-CPWD contractors.

Three similar works each of value not less than 40% of estimated cost or two similar work each of value not less than 60% of estimated cost or one similar work of value not less than 80% of estimated cost (rounded to nearest Rs. 1000/-) **during last 7 years ending on previous day of last day of submission of bids.**

The value of executed works shall be brought to current costing level by enhancing the actual value of work at simple rate of 7% per annum, calculated **during last 7 years ending on previous day of last day of submission of bids.**

1.2.2 To become eligible for issue of bid, the bidders shall have to furnish an affidavit as under:

- I/We undertake and confirm that eligible similar works(s) has/have not been got executed through another contractor on back-to-back basis. Further that, if such a violation comes to the notice of Department, then I/we shall be debarred for bidding in I.I.T.D in future forever. Also, if such a violation comes to the notice of the Department before date of start of work, the Engineer- in-Charge shall be free to forfeit the entire amount of Performance Guarantee.
2. Agreement shall be drawn with the successful bidders on prescribed Form No. I.I.T.D 7/8 which is available as I.I.T.D. Publication. Bidders shall quote their rates as per various terms and conditions of the said form which will form part of the agreement.
 3. The time allowed for carrying out the work will be **as per Tender Notice** from the date of start as defined in schedule 'F' or from the first date of handing over of the site, whichever is later, in accordance with the phasing, if any, indicated in the bid documents.
 4. **The site for the work shall be made available in parts as and when site will be available.**
 5. The bid document consisting of plans, specifications, the schedule of quantities of various types of items to be executed and the set of terms and conditions of the contract to be complied with and other necessary documents except Standard General Conditions of Contract Form can be seen from the web Site www.iitd.ac.in or e-procure.gov.in free of cost.
 6. After submission of the bid the contractor can re-submit a revised bid any number of times but before last time and date of submission of tender as notified.
 7. While submitting the revised bid, the contractor can revise the rate of one or more item(s) any number of times (he need not re-enter rate of all the items) but before last time and date of submission of tender as notified.
 8. If it is desired to submit a revised financial bid then it shall be mandatory to submit a revised financial bid. If not submitted, then the tender submitted earlier shall become invalid.
- Copy of Enlistment Order and certificate of work experience and other documents as specified in the press notice / web notice shall be scanned and uploaded to the tender website within the period of bid submission. However, certified copy of all the scanned and uploaded documents as specified in press notice / web notice shall have to be submitted by the lowest bidder in the office of tendering authority.
- Online bid documents submitted by intending bidders shall be opened only of those bidders, who has deposited tender online fees with and earnest money deposit and other documents scanned and uploaded are found in order. The bid submitted shall become invalid & Tender fees shall not be refunded if:
- (i) The bidder is found ineligible.
 - (ii) The bidder does not upload all the documents as stipulated in the bid documents.
 - (iii) If any discrepancy is noticed between the documents as uploaded at the time of submission of bid and hard copies as submitted physically by the lowest tenderer in the office of tender opening authority.
9. The contractor whose bid is accepted will be required to furnish **a performance guarantee of 5% (Five Percent)** of the bid amount within the period specified in Schedule F. This guarantee shall be in the form of cash (in case guarantee amount is less than Rs. 10000/-) or Deposit at Call receipt of any scheduled bank/Banker's cheque of any scheduled bank/

Demand Draft of any scheduled bank/Pay order of any Scheduled Bank (in case guarantee amount is less than Rs.1,00,000/-) or Government Securities or Fixed.

Deposit Receipts or irrevocable Bank Guarantee Bonds of any Scheduled Bank or the State Bank of India in accordance with the prescribed form. In case the contractor fails to deposit the said performance guarantee within the period as indicated in Schedule 'F' including the extended period if any, the Earnest Money deposited by the contractor shall be forfeited automatically without any notice to the contractor.

10. Intending Bidders are advised to inspect and examine the site and its surroundings and satisfy themselves before submitting their bids as to the nature of the ground and subsoil (so far as is practicable), the form and nature of the site, the means of access to the site, the accommodation they may require and in general shall themselves obtain all necessary information as to risks, contingencies and other circumstances which may influence or affect their bid. A bidder shall be deemed to have full knowledge of the site whether he inspects it or not and no extra charge consequent on any misunderstanding or otherwise shall be allowed. The bidders shall be responsible for arranging and maintaining at his own cost all materials, tools & plants, water, electricity access, facilities for workers and all other services required for executing the work unless otherwise specifically provided for in the contract documents. Submission of a bid by a bidder implies that he has read this notice and all other contract documents and has made himself aware of the scope and specifications of the work to be done and of conditions and rates at which stores, tools and plant, etc. will be issued to him by the Government and local conditions and other factors having a bearing on the execution of the work.
11. The competent authority on behalf of the Board of Governors does not bind itself to accept the lowest or any other bid and reserves to itself the authority to reject any or all the bids received without the assignment of any reason. All bids in which any of the prescribed condition is not fulfilled or any condition including that of conditional rebate is put forth by the bidder shall be summarily rejected.
12. Canvassing, whether directly or indirectly, in connection with bidders is strictly prohibited and the bids submitted by the contractors who resort to canvassing will be liable to rejection.
13. The competent authority on behalf of the Board of Governors reserves to himself the right of accepting the whole or any part of the bid and the bidder shall be bound to perform the same at the rate quoted.
14. The contractor shall not be permitted to bid for works in the IITD responsible for award and execution of contracts, in which his near relative is posted a Divisional Accountant or as an officer in any capacity between the grades of Superintending Engineer and Junior Engineer (both inclusive). He shall also intimate the names of persons who are working with him in any capacity or are subsequently employed by him and who are near relatives to any gazetted officer in the IIT Delhi. Any breach of this condition by the contractor would render him liable to be debarred from the bidding process in future in IIT Delhi.
15. No Engineer of gazetted rank or other Gazetted Officer employed in Engineering or Administrative duties in an Engineering Department of the Government of India is allowed to work as a contractor for a period of one year after his retirement from Government service, without the prior permission of the Government of India in writing. This contract is liable to be cancelled if either the contractor or any of his employees is found any time to be such a person who had not obtained the permission of the Government of India as aforesaid before

submission of the bid or engagement in the contractor's service.

16. The bid for the works shall remain open for acceptance for a period of **Ninety (90) days** from the last date of submission of bid, if any bidder withdraws his bid before the said period or issue of letter of acceptance, whichever is earlier, or makes any modifications in the terms and conditions of the bid which are not acceptable to the department, then the IIT Delhi shall, without prejudice to any other right or remedy, the bidder shall be debarred for tendering in IIT Delhi for a period of one year.

17. This notice inviting bid shall form a part of the contract document. The successful bidder / contractor, on acceptance of his bid by the Accepting Authority shall within 15 days from the stipulated date of start of the work, sign the contract consisting of: -

The Notice Inviting Bid, all the documents including additional conditions, specifications and drawings, if any, forming part of the bid as uploaded at the time of invitation of bid and the rates quoted online at the time of submission of bid and acceptance thereof together with any correspondence leading thereto.

b) Standard IITD Form –7/8 or other Standard IITD Form as mentioned.

18. In case any discrepancy is noticed between the documents as uploaded at the time of submission of the bid online and hard copies as submitted physically in the office of Executive Engineer, then the bid submitted shall become invalid and the IIT Delhi shall without prejudice to any other right or remedy, the bidder shall be debarred for tendering in IIT Delhi for a period of one year.

19. **For Composite Bid**

19.1 The **Executive Engineer [CD-III]** shall be Engineer-in-charge of the major component and will call the bids for the composite work, Earnest Money will be fixed with respect of the combined estimate cost put to tender for the composite bid.

19.2 The bid document will include following three components: -

Part A- IITD-6, IITD-7 include schedule A to F for the major component of the work. Standard General Conditions of contract for CPWD 2020 as corrected/modified up to date.

Part B – General/Specific conditions, specifications and schedule of quantities applicable to major component of the work.

Part C: - Schedule A to F for minor component of the work I.E. (Institute Engineer/EE in-charge of major component shall also be competent authority under clause 2 and clause 5 as mentioned as schedule A to F to major components), General/ specific conditions, specifications, and schedule of quantities applicable to minor component(s) of the work.

19.3 The bidder must associate himself with experienced agencies of the appropriate class eligible for bid for each of the minor component individually.

19.4 The eligible bidders shall quote rates for all items of major component as well as for all items of minor component of work.

- 19.5 After acceptance of the bid by Competent authority, the **EE [CD-III]** i.e Engineer in charge of the work shall issue letter of award on behalf of the Board of Governors, IIT Delhi, after the work is awarded, the main contractor will have to enter into one agreement with **EE [CD-III]** and has also to sign two or more copies of agreement. On such signed set of agreement shall be handed over to EE (Elect) in charge of minor component. EE of major component will operate part A and EE(Elect) in charge of minor component shall operate part B along with Part A of the agreement.
- 19.6 Entire work under the scope of composite bid including major and all minor components shall be executed under one agreement.
- 19.7 Security Deposit will be worked out separately for each component corresponding to the estimated cost of the respective component of works. The Earnest Money will become part of security deposit of the major component of work.
- 19.8 The main contractor has to associate agency(s) for minor component (s) conforming to eligibility criteria as defined in the bid document and has to submit detail of such agency (s) to Engineer-in-charge of minor component(s) within prescribed time, Name of agency (s) to be associated shall be approved by Engineer-in-charge of minor component(s).
- 19.9 In case the main contractor changes any of the above agency/agencies during the operation of the contract, he shall obtain prior approval of the Engineer-in-charge of minor component. The new agency/agencies shall also have an agency, he can direct the contractor to change the agency executing such items of work and this shall be binding on the contractor.
- 19.10 **The main contractor has to enter into agreement with contractor(s) associated by him for execution of minor components(s) in case the main contractor does not have capability to execute the minor component work.** Copy of such agreement shall be submitted to EE[E] and EE(CD-III), in charge of major and minor component. In case of a change of associate contractor, the main contractor has to enter into an agreement with the new contractor associated by him.
- 19.11- Running payment for the major component shall be processed by EE of major discipline to the main contractor. Running payment of minor components shall be made by EE [E], discipline of minor component directly to the main contractor.
- 19.12A **The composite work shall be treated as completed when all the components of the work are complete and certified. The completion certificate of the composite work shall be recorded by Engineers-in-charge of major component after record of completion certificate of all other components.**
- 19.12B **Final bill of whole work shall be finalized and paid by the EE of major component. EE (E), in charge of minor component(s) will prepare and pass the final bill for their respective component of work and pass on the same to the EE of major component for including in the final bill for composite contractor.**

INTEGRITY PACT e-TENDERING	I.I.T.D
-----------------------------------	----------------

To,

.....,

.....,

.....

Subject: - Renovation and modification of Auditorium Hall and waiting lounge in Vishwakarma Bhawan at IIT Delhi.

Sub Head: - Civil, Electrical & Fire Fighting Work.

NIT No. /IITD/EE (CD-III)/2022-23

Dear Sir,

It is here by declared that I.I.T.D is committed to follow the principle of transparency, equity, and competitiveness in public procurement.

The subject Notice Inviting Tender (NIT) is an invitation to offer made on the condition that the Bidder will sign the integrity Agreement, which is an integral part of tender/bid documents, failing which the tenderer / bidder will stand disqualified from the tendering process and the bid of the bidder would be summarily rejected.

This declaration shall form part and parcel of the Integrity Agreement and signing of the same shall be deemed as acceptance and signing of the Integrity Agreement on behalf of the I.I.T.D.

Yours faithfully

Executive Engineer (CD-III)

ACCEPTANCE TO EXECUTE INTEGRITY PACT**I.I.T.D**

(To be signed by bidder and upload the scanned copy)

To,

**Executive Engineer (CD- III)
IIT Delhi, Hauz Khas, New Delhi – 110016.**

**Subject: - Renovation and modification of Auditorium Hall and waiting lounge in
Vishwakarma Bhawan at IIT Delhi.**

Sub Head: - Civil, Electrical & Fire Fighting Work.

Dear Sir,

I/We acknowledge that I.I.T.D is committed to follow the principles thereof as enumerated in the Integrity Agreement enclosed with the tender/bid document.

I/We agree that the Notice Inviting Tender (NIT) is an invitation to offer made on the condition that I/We will sign the enclosed integrity Agreement, which is an integral part of tender / bid documents, failing which I/We will stand disqualified from the tendering process. I/We acknowledge that THE MAKING OF THE BID SHALL BE REGARDED AS AN UNCONDITIONAL AND ABSOLUTE ACCEPTANCE of this condition of the NIT.

I/We confirm acceptance and compliance with the Integrity Agreement in letter and spirit and further agree that execution of the said Integrity Agreement shall be separate and distinct from the main contract, which will come into existence when tender/bid is finally accepted by I.I.T.D. I/We acknowledge and accept the duration of the Integrity Agreement, which shall be in the line with Article 1 of the enclosed Integrity Agreement.

I/We acknowledge that in the event of my/our failure to sign and accept the Integrity Agreement, while submitting the tender/bid, I.I.T.D shall have unqualified, absolute and unfettered right to disqualify the tender / bidder and reject the tender/bid in accordance with terms and conditions of the tender/bid.

Yours faithfully

(Duly authorized signatory of the Bidder)

INTEGRITY PACT e-TENDERING	I.I.T.D
-----------------------------------	----------------

To be signed by the bidder and same signatory competent / authorized to

sign the relevant contract on behalf of I.I.T.D.

INTEGRITY AGREEMENT

This Integrity Agreement is made at on this day of..... 20.....

BETWEEN

The Board of Governors, I.I.T. Delhi, Hauz Khas, New Delhi - 16 represented through Executive Engineer (E) IIT Delhi.

....., (Hereinafter referred as the(Address of Division)

'Principal/Owner', which expression shall unless repugnant to the meaning or context hereof include its successors and permitted assigns)

AND

.....(Name and Address of the

Individual/firm/Company) through (Hereinafter referred to as the (Details of duly authorized signatory) **"Bidder/Contractor"** and which expression shall unless repugnant to the meaning or context hereof include its successors and permitted assigns)

Preamble

WHEREAS the Principal / Owner has floated the Tender (NIT No.....) (Hereinafter referred to as

"Tender/Bid") and intends to award, under laid down organizational procedure, contract for

.....

(Name of work) hereinafter referred to as the **"Contract"**.

AND WHEREAS the Principal/Owner values full compliance with all relevant laws of the land, rules, regulations, economic use of resources and of fairness/transparency in its relation with its Bidder(s) and Contractor(s).AND WHEREAS to meet the purpose aforesaid both the parties have agreed to enter into this Integrity Agreement (hereinafter referred to as **"Integrity Pact"** or **"Pact"**), the terms and conditions of which shall also be read as integral part and parcel of the Tender/Bid documents and Contract between the parties.

Now, THEREFORE, in consideration of mutual covenants contained in this Pact, the parties hereby agree as follows and this Pact witnesses as under:

Article 1: Commitment of the Principal/Owner

- 1) The Principal/Owner commits itself to take all measures necessary to prevent corruption and to observe the following principles:
 - (a) No employee of the Principal/Owner, personally or through any of his/her family members, will in connection with the Tender, or the execution of the Contract, demand, take a promise for or accept, for self or third person, any material or immaterial benefit which the person is not legally entitled to.
 - (b) The Principal/Owner will, during the Tender process, treat all Bidder(s) with equity and reason. The Principal/Owner will, in particular, before and during the Tender process, provide to all Bidder(s) the same information and will not provide to any Bidder(s) confidential / additional information through which the Bidder(s) could obtain an advantage in relation to the Tender process or the Contract execution.
 - (c) The Principal/Owner shall endeavor to exclude from the Tender process any person, whose conduct in the past has been of biased nature.
- 2) If the Principal/Owner obtains information on the conduct of any of its employees which is a criminal offence under the Indian Penal code (IPC)/Prevention of Corruption Act, 1988 (PC Act) or is in violation of the principles herein mentioned or if there be a substantive suspicion in this regard, the Principal/Owner will inform the Chief Vigilance Officer and in addition can also initiate disciplinary actions as per its internal laid down policies and procedures.

Article 2: Commitment of the Bidder(s)/Contractor(s)

- 1) It is required that each Bidder/Contractor (including their respective officers, employees and agents) adhere to the highest ethical standards, and report to the Government / Department all suspected acts of **fraud or corruption or Coercion or Collusion** of which it has knowledge or becomes aware, during the tendering process and throughout the negotiation or award of a contract.
- 2) The Bidder(s)/Contractor(s) commits himself to take all measures necessary to prevent corruption. He commits himself to observe the following principles during his participation in the Tender process and during the Contract execution:
 - a) The Bidder(s)/Contractor(s) will not, directly or through any other person or firm, offer, promise or give to any of the Principal/Owner's employees involved in the Tender process or execution of the Contract or to any third person any material or other benefit which he/she is not legally entitled to, in order to obtain in exchange any advantage of any kind whatsoever during the Tender process or during the execution of the Contract.
 - b) The Bidder(s)/Contractor(s) will not enter with other Bidder(s) into any undisclosed agreement or understanding, whether formal or informal. This applies in particular to prices, specifications, certifications, subsidiary contracts, submission or non-submission of bids or any other actions to restrict competitiveness or to cartelize in the bidding process.\

- c) The Bidder(s)/Contractor(s) will not commit any offence under the relevant IPC/PC Act. Further the Bidder(s)/Contractor(s) will not use improperly, (for the purpose of competition or personal gain), or pass on to others, any information or documents provided by the Principal/Owner as part of the business relationship, regarding plans, technical proposals and business details, including information contained or transmitted electronically.
- d) The Bidder(s)/Contractor(s) of foreign origin shall disclose the names and addresses of agents/representatives in India, if any. Similarly, Bidder(s)/Contractor(s) of Indian Nationality shall disclose names and addresses of foreign agents/representatives, if any. Either the Indian agent on behalf of the foreign principal or the foreign principal directly could bid in a tender but not both. Further, in cases where an agent participates in a tender on behalf of one manufacturer, he shall not be allowed to quote on behalf of another manufacturer along with the first manufacturer in a subsequent/parallel tender for the same item.
- e) The Bidder(s)/Contractor(s) will, when presenting his bid, disclose any and all payments he has made, is committed to or intends to make to agents, brokers or any other intermediaries in connection with the award of the Contract.
- 3) The Bidder(s)/Contractor(s) will not instigate third persons to commit offences outlined above or be an accessory to such offences.
- 4) The Bidder(s)/Contractor(s) will not, directly or through any other person or firm indulge in fraudulent practice **means a willful misrepresentation or omission of facts or submission of fake/forged documents in order to induce public official to act in reliance thereof, with the purpose of obtaining unjust advantage by or causing damage to justified interest of others and/or to influence the procurement process to the detriment of the Government interests.**
- 5) The Bidder(s)/Contractor(s) will not, directly or through any other person or firm use Coercive Practices (means the act of obtaining something, compelling an action, or influencing a decision through intimidation, threat or the use of force directly or indirectly, where potential or actual injury may befall upon a person, his/ her reputation or property to influence their participation in the tendering process).

Article 3: Consequences of Breach

Without prejudice to any rights that may be available to the Principal/Owner under law or the Contract or its established policies and laid down procedures, the Principal/Owner shall have the following rights in case of breach of this Integrity Pact by the Bidder(s)/Contractor(s) and the Bidder/ Contractor accepts and undertakes to respect and uphold the Principal/Owner's absolute right:

- 1) If the Bidder(s)/Contractor(s), either before award or during execution of Contract has committed a transgression through a violation of Article 2 above or in any other form, such as to put his reliability or credibility in question, the Principal/Owner after giving 14 days' notice to the contractor shall have powers to disqualify the Bidder(s)/Contractor(s) from the Tender process or terminate/determine the Contract, if already executed or exclude the Bidder/Contractor from future contract award processes. The imposition and duration of the exclusion will be determined by the severity of transgression and determined by the Principal/Owner. **Such exclusion may be forever or for a limited period as decided by the Principal/Owner.**
- 2) **Forfeiture of EMD/Performance Guarantee/Security Deposit:** If the Principal/Owner has disqualified the Bidder(s) from the Tender process prior to the award of the Contract or terminated/determined the Contract or has accrued the right to terminate/determine the Contract according to Article 3(1), the Principal/Owner apart from exercising any legal rights that may have accrued to the Principal/Owner, may in its considered opinion forfeit the entire amount of

- 3) **Criminal Liability:** If the Principal/Owner obtains knowledge of conduct of a Bidder or Contractor, or of an employee or a representative or an associate of a Bidder or Contractor which constitutes corruption within the meaning of IPC Act, or if the Principal/Owner has substantive suspicion in this regard, the Principal/Owner will inform the same to law enforcing agencies for further investigation.

Article 4: Previous Transgression

- 1) The Bidder declares that no previous transgressions occurred in the last 5 years with any other Company in any country confirming to the anticorruption approach or with Central Government or State Government or any other Central/State Public Sector Enterprises in India that could justify his exclusion from the Tender process.
- 2) If the Bidder makes incorrect statement on this subject, he can be disqualified from the Tender process or action can be taken for banning of business dealings/ holiday listing of the Bidder/Contractor as deemed fit by the Principal/ Owner.
- 3) If the Bidder/Contractor can prove that he has resorted / recouped the damage caused by him and has installed a suitable corruption prevention system, the Principal/Owner may, at its own discretion, revoke the exclusion prematurely.

Article 5: Equal Treatment of all Bidders/Contractors/Subcontractors

- 1) The Bidder(s)/Contractor(s) undertake(s) to demand from all subcontractors a commitment in conformity with this Integrity Pact. The Bidder/Contractor shall be responsible for any violation(s) of the principles laid down in this agreement/Pact by any of its Sub-contractors/sub-vendors.
- 2) The Principal/Owner will enter into Pacts on identical terms as this one with all Bidders and Contractors.
- 3) The Principal/Owner will disqualify Bidders, who do not submit, the duly signed Pact between the Principal/Owner and the bidder, along with the Tender or violate its provisions at any stage of the Tender process, from the Tender process.

Article 6- Duration of the Pact

This Pact begins when both the parties have legally signed it. It expires for the Contractor/Vendor 09 Months after the completion of work under the contract or till the continuation of defect liability period, whichever is more and for all other bidders, till the Contract has been awarded.

If any claim is made/lodged during the time, the same shall be binding and continue to be valid despite the lapse of this Pacts as specified above, unless it is discharged/determined by the Competent Authority, I.I.T.D.

Article 7- Other Provisions

- 1) This Pact is subject to Indian Law, place of performance and jurisdiction is the Headquarters of the Division of the Principal/Owner, who has floated the Tender.
- 2) Changes and supplements need to be made in writing. Side agreements have not been made.
- 3) If the Contractor is a partnership or a consortium, this Pact must be signed by all the partners or by one or more partner holding power of attorney signed by all partners and consortium members. In case of a Company, the Pact must be signed by a representative duly authorized by board resolution.
- 4) Should one or several provisions of this Pact turn out to be invalid; the remainder of this Pact remains valid. In this case, the parties will strive to come to an agreement to their original intentions.

INTEGRITY PACT e-TENDERING	I.I.T.D
-----------------------------------	----------------

5) It is agreed term and condition that any dispute or difference arising between the parties with regard to the terms of this Integrity Agreement / Pact, any action taken by the Owner/Principal in accordance with this Integrity Agreement/ Pact or interpretation thereof shall not be subject to arbitration.

Article 8- LEGAL AND PRIOR RIGHTS

All rights and remedies of the parties hereto shall be in addition to all the other legal rights and remedies belonging to such parties under the Contract and/or law and the same shall be deemed to be cumulative and not alternative to such legal rights and remedies aforesaid. For the sake of brevity, both the Parties agree that this Integrity Pact will have precedence over the Tender/Contact documents with regard any of the provisions covered under this Integrity Pact.

IN WITNESS WHEREOF the parties have signed and executed this Integrity Pact at the place and date first above mentioned in the presence of following witnesses:

.....
(For and on behalf of Principal/Owner)

.....
(For and on behalf of
Bidder/Contractor)

WITNESSES:

1.
(signature, name and address)

2.
(signature, name and address)

Place:
Date:

BANK GUARANTEE BOND	I.I.T. D
----------------------------	-----------------

Form of Earnest Money Deposit Bank Guarantee Bond

WHEREAS, contractor..(Name of contractor) (hereinafter called "the contractor") has submitted his tender dated (date) for the construction of(name of work) (hereinafter called "the Tender")

KNOW ALL PEOPLE by these presents that we(name of bank) having our registered office at.....(hereinafter called "the Bank") are bound unto.....

(Name and division of Executive Engineer) (hereinafter called "the Engineer-in-Charge") in the sum of Rs. (Rs. in words.....) for which payment well

and truly to be made to the said Engineer-in-Charge the Bank binds itself, his successors and assigns by these presents.

SEALED with the Common Seal of the said Bank thisday of 20....

THE CONDITIONS of this obligation are:

- (1) If after tender opening the Contractor withdraws, his tender during the period of validity of tender (including extended validity of tender) specified in the Form of Tender;
 - (2) If the contractor having been notified of the acceptance of his tender by the Engineer-in-Charge:
 - (a) fails or refuses to execute the Form of Agreement in accordance with the Instructions to contractor, if required;

OR

 - (b) fails or refuses to furnish the Performance Guarantee, in accordance with the provisions of tender document and Instructions to contractor,
- OR
- (c) fails or refuses to start the work, in accordance with the provisions of the contract and Instructions to contractor,
- OR
- (d) fails or refuses to submit fresh Bank Guarantee of an equal amount of this Bank Guarantee, against Security Deposit after award of contract.

We undertake to pay to the Engineer-in-Charge either up to the above amount or part thereof upon receipt of his first written demand, without the Engineer-in-Charge having to substantiates his demand, provided that in his demand the Engineer-in-Charge will note that the amount claimed by his is due to him owing to the occurrence of one or any of the above conditions, specifying the occurred condition or conditions.

This Guarantee will remain in force up to and including the date*..... after the deadline for

submission of tender as such deadline is stated in the Instructions to contractor or as it may be extended by the Engineer-in-Charge, notice of which extension(s) to the Bank is hereby waived. Any demand in respect of this Guarantee should reach the Bank not later than the above date.

DATE

WITNESSSEAL

SIGNATURE OF THE BANK

(SIGNATURE, NAME AND ADDRESS)

*Date to be worked out on the basis of validity period of 6 months from last date of receipt of tender.

PERFORMANCE GUARANTEE

- (i) The contractor shall submit an irrevocable Performance Guarantee of 5% (**Five percent**) of the tendered amount in addition to other deposits mentioned elsewhere in the contract for his proper performance of the contract agreement, (not withstanding and/or without prejudice to any other provisions in the contract) within period specified in Schedule 'F' from the date of issue of letter of acceptance. This period can be further extended by the Engineer-in-Charge up to a maximum period as specified in schedule 'F' on written request of the contractor stating the reason for delays in procuring the Performance Guarantee, to the satisfaction of the Engineer-in-Charge. This guarantee shall be in the form of Cash (in case guarantee amount is less than Rs. 10,000/-) or Deposit at Call receipt of any scheduled bank/Banker's Cheque of any scheduled bank/Demand Draft of any scheduled bank/Pay Order of any scheduled bank (in case guarantee amount is less than Rs. 1, 00,000/-) or Government Securities or Fixed Deposit Receipts or Guarantee Bonds of any Scheduled Bank or the State Bank of India in accordance with the form annexed hereto. In case a fixed deposit receipt of any Bank is furnished by the contractor to the Government as part of the performance guarantee and the Bank is unable to make payment against the said fixed deposit receipt, the loss caused thereby shall fall on the contractor and the contractor shall forthwith on demand furnish additional security to the Government to make good the deficit.
- (ii) The **Performance Guarantee shall be initially valid up to the stipulated date of completion plus 60 Days** beyond that. In case the time for completion of work gets enlarged, the contractor shall get the validity of Performance Guarantee extended to cover such enlarged time for completion of work. After recording the completion certificate for the work by the competent authority, the performance guarantee shall be returned to the contractor, without any interest.
- (iii) The Engineer-in-Charge shall not make a claim under the performance guarantee except for amounts to which the BOG is entitled under the contract (not withstanding and/or without prejudice to any other provisions in the contract agreement) in the event of:
- (a) Failure by the contractor to extend the validity of the Performance Guarantee as described herein above, in which event the Engineer-in-Charge may claim the full amount of the Performance Guarantee.
- (b) Failure by the contractor to pay BOG any amount due, either as agreed by the contractor or determined under any of the Clauses/Conditions of the agreement, within 30 days of the service of notice to this effect by Engineer-in-Charge.
- (iv). In the event of the contract being determined or rescinded under provision of any of the Clause/Condition of the agreement, the performance guarantee shall stand forfeited in full and shall be absolutely at the disposal of the BOG.

FORM "F"
STRUCTURE & ORGANISATION

1. Name & Address of the bidder
2. Telephone no./ Telex no./ Fax no.
3. Legal status of the bidder (attach copies of original document defining the legal status)
 - a. An Individual
 - b. A proprietary firm
 - c. A firm in partnership
 - d. A limited company or Corporation
4. Particulars of registration with various Government Bodies (attach attested photocopy) Organization/ Place of registration and Registration No.
 - 1.
 - 2.
 - 3.
5. Name and titles of Directors & Officers with designation to be concerned with this work
.....
!
6. Designation of individuals authorized to act for the organization...
!
7. Has the bidder or any constituent partner in case of partnership firm, ever abandoned the awarded work before its completion?
If so, give name of the project and reasons for abandonment
.....
!
8. Has the bidder or any constituent partner in case of partnership firm, ever been debarred/ blacklisted for tendering in any organization at any time? If so, give details
.....
9. Past work experience in IIT Delhi will be considered in deciding the Technical bid...
!

Signature of Bidder(S)

**ANNEXURE-I
COMPLIANCE SHEET**

TECHNICAL SPECIFICATION:

S.No.	Technical Bid Requirement As per Tender Notice & NIT & IITD form 8	Compliance Y/N
1	Demand Draft/Pay order or Banker`s Cheque /Deposit at Call Receipt/FDR of any Scheduled Bank against EMD.	
2	Enlistment order of contractor.	
3	Certificate of work experience.	
4	Certificate of Registration for GST and acknowledgement of up to date filed return of GST.	
5	Affidavit as per Notice Inviting Tender Condition 1.3 page 8 of NIT. (Affidavit shall be purchased/ notarized between date of publishing and last date of submission of bids beside this NIT/Tender ID and name of work must be mentioned on the Affidavit.)	
6	Acceptance to execute INTEGRITY PACT.	
7	Undertaking as per Page-5/ Sl. No. 20' on firm`s letter head. “the physical EMD shall be deposited by me / us with the Authority inviting the tender, in case I / we become the lowest tenderer, within a week of the opening of financial bid, otherwise, department may reject the tender and also take action to debar me / us from tendering in any form in IIT Delhi”	
8	ESI & EPF registration.	
9	FORM “F” (Duly filled with all required details).	
10	Tender Fee - Nil	
11	Annexure-1 (Dully Filled & signed by the bidders)	
12	Annexure 2 (Dully Filled & signed by the bidders)	
13	Annexure 3 (Dully Filled & signed by the bidders)	
14	In case of Partnership firm if all the papers of tender not signed by all the partners than a power of attorney authorizing the person who has signed the tender paper must be uploaded with the tender documents.	
15	Any other documents given in NIT	
16	BOQ	

I have also enclosed all relevant documents in support of my claims, (as above) in the following pages.

Signature of Bidder

Name: _____

Designation: _____

Organization Name: _____

Contact No. : _____

**<< Organization Letter Head >>
DECLARATION SHEET**

We, _____ hereby certify that all the information and data furnished by our organization with regard to this tender specification are true and complete to the best of our knowledge. I have gone through the specification, conditions and stipulations in details and agree to comply with the requirements and intent of specification.

This is certified that our organization has been registered as per Tender Notice & NIT & IITD form 8Tender. We further certified that our organization meets all the conditions of eligibility criteria laid down in this tender document.

We, further specifically certify that our organization has not been Black Listed/De Listed or put to any Holiday by any Institutional Agency/ Govt. Department/ Public Sector Undertaking in the last three years.	NAME & ADDRESS of the Vendor/ Manufacturer / Agent
1. Phone	As per Tender Notice & NIT
2. Fax	
3. E-mail	
4. Contact Person Name	
5. Mobile Number	
6. GST Number	
7. PAN Number	
8.(In case of on-line payment of Tender Fees) UTR No. (For Tender Fee)	
9.(In case of on-line payment of EMD) UTR No. (For EMD)	

(Signature of the Tenderer)

Name:

Seal of the Company

PART-B

**INDIAN INSTITUTE OF TECHNOLOGY DELHI
HAUZ KHAS, NEW DELHI - 110016
Item Rate Tender & Contract for Composite Work**

Tender for the work of **Renovation and modification of Auditorium Hall and waiting lounge in Vishwakarma Bhawan at IIT Delhi.**

Sub Head: - Civil, Electrical & Fire Fighting Work.

To be submitted by **as per tender notice** to

.....
(i) To be opened in presence of bidders who may be present at **as per tender notice**

.....
in the office of **D.R. (Store)**

Issued to

Signature of officer issuing the documents

Designation.....

Date of Issue

TENDER

I/We have read and examined the notice inviting tender, schedule, A, B, C, D, E & F Specifications applicable, Drawings & Designs, General Rules and Directions, Conditions of Contract, clauses of contract, Special conditions, Schedule of Rate & other documents, and Rules referred to in the conditions of contract and all other contents in the tender document for the work.

I/We hereby tender for the execution of the work specified for the The Board of Governors, I.I.T. Delhi, Hauz Khas, New Delhi - 16 within the time specified in Schedule 'F' viz., schedule of quantities and in accordance in all respect with the specifications, designs, drawing and instructions in writing referred to in Rule-1 of General Rules and Directions and in Clause 11 of the Conditions of contract and with such materials as are provided for, by, and in respect of accordance with, such conditions so far as applicable.

We agree to keep the tender open for **Ninety Days (90)** days from last date of submission of bid.

A sum of **as per tender notice** is hereby forwarded in Banker Cheque or Demand Draft or Fixed Deposit receipt of a schedule bank drawn in favour of IIT Delhi as earnest money. If I/We, fail to furnish the prescribed performance guarantee within prescribed period. I/We agree that the said The Board of Governors,

I.I.T. Delhi, Hauz Khas, New Delhi - 16 or his successors, in office shall without prejudice to any other right or remedy, be at liberty to forfeit the said earnest money absolutely. Further, if I/We fail to commence work as specified, I/We agree that The Board of Governors, I.I.T. Delhi, Hauz Khas, New Delhi - 16 or the successors in office shall without prejudice to any other right or remedy available in law, be at liberty to forfeit the said earnest money and the performance guarantee absolutely, otherwise the said earnest money shall be retained by him towards security deposit to execute all the works referred to in the tender documents upon the terms and conditions contained or referred to those in excess of that limit at the rates to be determined in accordance with the provision contained in Clause 12.2 and 12.5 of the tender form. Further, I/We agree that in case of forfeiture of Earnest Money & Performance Guarantee as aforesaid. I/We shall be debarred for participation in the re-tendering process of the work.

I.I.T.D – 7/8 e-TENDERING	I.I.T.D
----------------------------------	----------------

I/We undertake and confirm that eligible similar work(s) has/have not been got executed through another contractor on back-to-back basis. Further to that, if such a violation comes to the notice of the Department, then I/We shall be debarred for tendering in I.I.T.D in future forever. Also, if such a violation comes to the notice of the Department before the date of start of work, the Engineer-in-Charge shall be free to forfeit the entire amount of Earnest Money Deposit/Performance Guarantee.

I/We hereby declare that I/We shall treat the tender documents drawings and other records connected with the work as secret/confidential documents and shall not communicate information/derived there from to any person other than a person to whom I/We am/are authorized to communicate the same or use the information in any manner prejudicial to the safety of the State.

Dated:

Signature of Contractor

Witness:

Postal Address

Address:

Occupation:

ACCEPTANCE

The above tender (as modified by you as provided in the letters mentioned hereunder) is accepted by me for an on behalf of The Board of Governors, I.I.T. Delhi, Hauz Khas, New Delhi - 16 for a sum of

(Rupees...
.....
).

The letters referred to below shall form part of this contract agreement: -

- (a)
- (b)
- (c)

For & on behalf of Board of Governors, IIT Delhi Signature

.....

Dated:

Designation

SCHEDULES (A to F)**(For Civil and Electrical Component)****SCHEDULE 'A'**

Schedule of quantities for **Civil, Electrical & Fire Fighting Work.** as attached.

SCHEDULE 'B'

Schedule of materials to be issued to the contractor.

S.No.	Description of item	Quantity	Rates in figures & words at which the material will be charged to the contractor	Place of issue
1	2	3	4	5
-----NIL-----				

SCHEDULE 'C'

Tools and plants to be hired to the contractor.

S.No.	Description	Hire charges per day	Place of Issue
1	2	3	4
-----NIL-----			

SCHEDULE 'D'

Extra schedule for specific requirement/document for the work, if any. Nil.

SCHEDULE 'E'

Reference to General Conditions of contract : GCC for Maintenance work 2020 for CPWD works along with correction on slips/amendments issued up to last date of submission of bid.

Name of Work	:	Renovation and modification of Auditorium Hall and waiting lounge in Vishwakarma Bhawan at IIT Delhi. Sub Head: - Civil, Electrical & Fire Fighting Work.
Estimated cost of work:	:	Rs. 1,18,28,954/-
Earnest Money:	:	Rs. 2,36,580/-
Performance Guarantee	:	5 % of tendered Value
Security deposit	:	2.5 % of tendered value

SCHEDULE 'F'

GENERAL RULES & DIRECTIONS:

- | | | |
|---|---|-----------------------------|
| 1. Officer inviting tender | : | Executive Engineer [CD-III] |
| 2. Maximum percentage for quantity of items of work to be executed beyond which rates are to be determined in accordance with Clauses 12.2 & 12.5 | : | See Clause-12 |

Definitions:

- | | | |
|--|---|---|
| 2(i) Engineer-in-Charge | : | Executive Engineer [CD-III] |
| 2(ii) Accepting Authority | : | Institute Engineer |
| 2(iii) Percentage on cost of materials and Labour to cover all overheads and profits: | : | 15% |
| 2(iv) Standard Schedule of Rates: | : | DSR-2021 for Civil + 7% cost Index on Civil & Electrical works on DSR-2022 and GST factor 1.0633 with up-to-date correction slip on date of submission of bid & Market Rate. |
| 2(v) Department: | : | Works department at I.I.T Delhi |
| 2(vi) IITD Form & CPWD GCC for Maintenance work 2020, modified & Corrected up to last date of submission of bid. | : | |

Clause 1

- (i) Time allowed for submission of Performance Guarantee from the date of issue of letter of acceptance : 15 days
- (ii) Maximum allowable extension with late fee @ 0.1 % per day of Performance guarantee amount beyond the period provided in (i) above, : 1 to 15 days

Clause 2

Authority for fixing compensation under Delay: : Institute Engineer

Clause 5

Number of days from the date of issue of letter of acceptance for reckoning date of start: : 10 (Ten) days

MILE STONE CHART

Sl. No.	Description of mile stone (financial terms)	Period for completion from date of start in days/months	Withheld amount for non-achievement of mile stone.
1	1/8 th (of the whole work)	1/4 th (of the whole work)	In the event of not achieving the necessary progress as assessed from the running payment, 1% of the Tender value of work will be withheld for failure of each milestone.
2	3/8 th (of the whole work)	1/3 th (of the whole work)	
3	3/4 th (of the whole work)	3/4 th (of the whole work)	
4	Full	Full	

Allowed for execution of work : **04 Month**
 Authority to decide:

- (i) Extension of Time : Institute Engineer
 (ii) Rescheduling of mile stones : Institute Engineer
 (iii) Shifting of Date of start in case of Delay in handing over of site : Institute Engineer

Clause 6 : Clause 6

Clause 7

Gross work to be done together with net payment /adjustment of advances for material collected, if any, since the last such payment for being eligible to interim payment: : Minimum Rs. 15.00 Lakhs

Clause -7A: **As per Institute Policy**

No running account bill shall be paid for the work till the applicable labour licences, registration with EPFO, ESIC and BOCW Welfare Board, whatever applicable are submitted by the contractor. to the Engineer-in-Charge.

Clause 10A

List of testing equipment to be provided by the contractor at site lab : **Not Applicable**

Clause 10B: **Applicable****Clause 10C**

Component of labour expressed as percent of value of work: **25%** for civil work & **15%** for Electrical work

Clause 10CA: **Not Applicable**

S. No.	Material Covered under this clause	Nearest Materials (other than cement, reinforcement bars and the structural steel) for which All India Wholesale Price Index to be followed	Base Price of all Materials covered under clause 10 CA* (July 2022)
1.	Cement	Not Applicable	
2.	Cement		
3.	Reinforcement bars		
4.	Structural steel		

Clause 10CC

Clause 10 CC to be applicable in contracts with stipulated period of completion exceeding the period shown. in next column

: Not Applicable

Clause 11

Specifications to be followed for execution of work

CPWD specifications 2019 Vol I and Vol II and Electrical General Specification for electrical 2013 (internal and external) Corrected slips & manufacturers Specifications up to the last date of bid submission/uploading of tender. Detailed nomenclature of items & specifications for market rate items as per Engineer-in-charge

Clause 12**Type of work****Maintenance work including works of up-gradation, aesthetic, special repair, addition/alteration**

12.2 & 12.5	Deviation limit beyond which clauses 12.2 & 12.5 shall apply for building work	:	100%
12.5 (I)	Deviation Limit beyond which clauses 12.2 & 12.5 shall applicable for foundation work (Except items mentioned in earthwork subhead of DSR and related items)	:	100%
12.5 (II)	Deviation Limit for Items in earth work subhead of DSR and related items		100%

Clause 16

Competent Authority for deciding reduced rates : Institute Engineer

Clause 18

List of mandatory machinery, tools & plants to be deployed by the contractor at site : As per requirement

Clause 25

Constitution of Dispute Redressal Committee (DRC)	
Chairman	NIL
Member	
Member	

Note: The above constitution of Dispute Redressal Committee is subject to change, for which necessary notification shall be issued by the competent authority of the department, if required.

Clause 32

Requirement of Technical Staff(s) & Recovery Rate

Cost of Work (Rs. In Crore)	Requirement of Technical Staff		Minimum Experience (Years)	Designation	Rate at which recovery shall be made from the Contractor in the event of not fulfilling provision of clause 32
	Qualification	Number			
More than 15 lakh to 1.5 cr.	Graduate Engineer or Diploma Engineer	01 Of major Component (Civil Engineer)	2 or 5 Respectively	Project planning/ quality/ Site/billing Engineer	Rs. 15,000/- per month per person

Assistant Engineers retired from Government services that are holding Diploma will be treated at par with Graduate Engineers.

Diploma Holder with minimum 10 years relevant experience with a reputed construction company can be treated at par with graduate Engineers for the purpose of such deployment subject to the condition that such diploma holders should not exceed 50 % of requirement of degree Engineer.

Clause 38

i)	Schedule/statement for determining theoretical quantity of cement & bitumen on the basis of Delhi Schedule of Rates 2021 with up to date correction printed by C.P.W.D.	
ii)	Variations permissible on theoretical quantities	
a)	Cement:	
	For works with estimated cost put to tender not more than Rs.5 lakh.	3% plus/minus. (Three percent)
	For works with estimated cost put to tender more than Rs.5 lakh	2% plus/minus. (Two percent)
b)	Bitumen all works.	2.5% plus & only & nil on minus side
c)	Steel Reinforcement and structural steel sections for each diameter, section and category	2% plus/minus (Two percent)
d)	All other materials	
e)	Schedule for determining theoretical consumption of Brick work on the basis of DSR 2021	

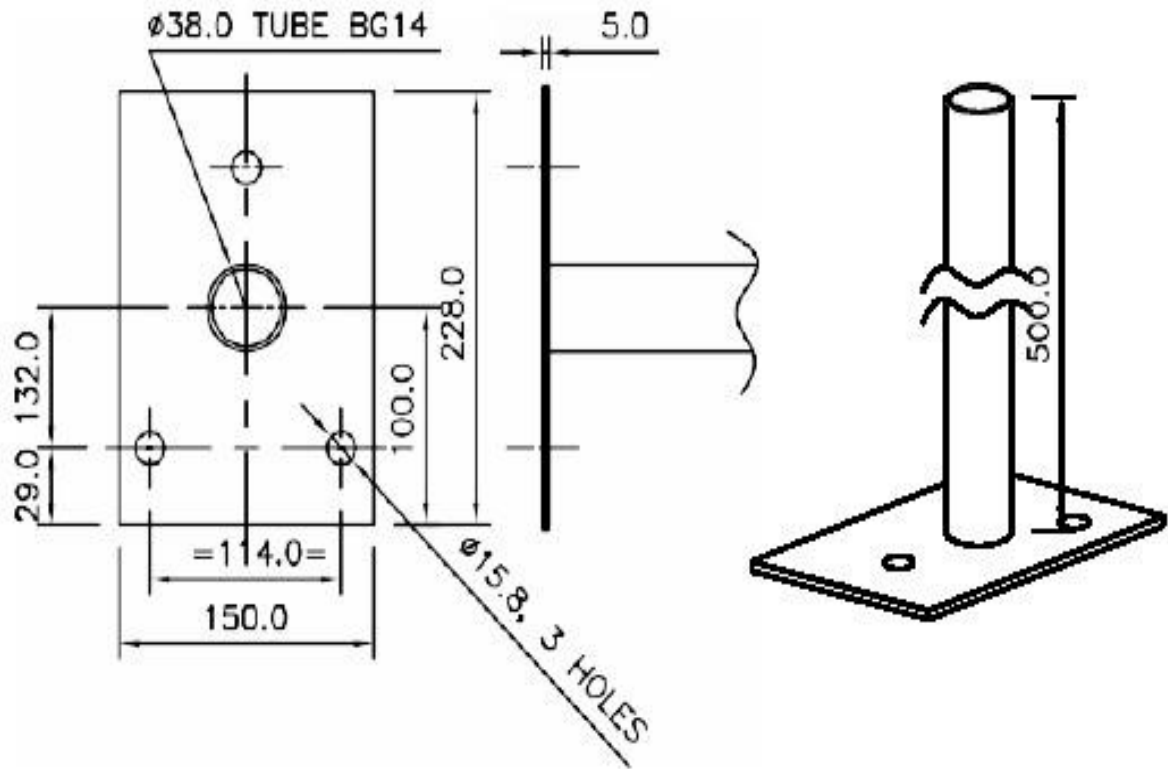
SPECIAL CONDITIONS

1. Non Judicial stamp paper worth Rs. 10/- (Ten Rupees only) will be submitted by contractor which will have to be signed as token of acceptance.
2. No T & P would be supplied by the Institute and contractor will have to make his own arrangement.
3. The contractors are advised to get acquitted with the proposed work including specifications & its site and additional conditions carefully before quoting. No claim of any sort shall be entertained or account of any site conditions and ignorance of specifications & additional conditions. The work shall be carried out as per the availability of site.
4. The work shall be carried out as per CPWD specifications for civil and electrical work with up – to date correction slips unless otherwise specified in the nomenclature of individual item or in the specification, additional conditions where specifications are silent, the decision of Engineer-in-Charge shall be final and binding on contractor.
5. The rates quoted by the contractor shall be taken as net and nothing extra shall be paid on any account i.e Royalty, Cartage, GST & stacking of material required at places etc. The rates for different items of work shall apply for Heights & Depths, Leads & Lifts unless otherwise specified in the agreement or specifications applicable in the agreement.
6. Any damage done by the contractor to any existing item / any part of the building during the course of execution of work shall be made good by at his own cost.
7. Articles manufactured by the reputed firms as per approved make list and as approved by Engineer-in-charge shall only be used at work.
8. The sample of material required in the work brought at site shall be submitted prior Technical specification of individual item and got approval of material from Engineer –in-Charge before use in execution of work.
9. All expenditure to be incurred for testing of samples e.g. packaging, sealing, transportation, loading, unloading etc. including testing charges shall be borne by the contractor.
10. The contractor shall submit a detailed program of work within 3 days of the date of award of work. The Engineer – in- Charge can modify the program and the contractors have to work accordingly.
11. The contractor shall make his own arrangement for getting the permission with respect to trucks from the Traffic Police.
12. No payment shall be made to contractor for any damage caused by the rain, snowfall or any other natural causes what so ever during the execution of work.
13. Some restrictions may be imposed by the security staff of IIT Delhi etc. on the working and or movement of labour & material. No labour camp/ huts shall be allowed in IIT Campus. The contractor shall make his own arrangement for labour huts outside the campus. However constructions of cement godown and Chowkidar’s hut in the Campus shall be permitted. The contractor shall be bound to follow all such restrictions/ instructions and nothing shall be payable on this account.
14. The contractor shall be fully responsible for the safe custody of the material issued or brought at site by him for doing the work.

15. The Malba / Garbage generated at site due to construction activities shall be removed from the site immediately & shall be disposed of by the contractor to the approved dumping site of MCD and all statutory approvals from local bodies shall be a sole responsibility of contractor.
16. The contractor shall clean the site thoroughly of scaffolding materials, rubbish, equipment's left out of his work & dress the site around the building to the complete satisfaction of the Engineer-in-Charge before the work is treated as completed.
17. Contractor has to quote against the item of schedule of credit of material. The contractor cannot quote either minus rate or Zero rate for these items.
18. Income tax and other taxes as applicable shall be deducted from the bills of the contractor.
19. 1% labor cess or as applicable will be deducted from the bills of the contractor.
20. Water charges @1% and Electricity charges @0.50% of gross work done shall be deducted from bills of contractor if electricity and water provided by IIT Delhi.
21. Agency has to take proper safety major during the execution of work.
22. **GCC form 7/8 shall form part of NIT and the bidder shall go through GCC 2020 CPWD before quoting rates and the same shall be deemed to be accepted by bidder if he participates in the tender.**
23. The contractor shall submit the program of execution of work as per clause 5 of GCC of IIT form 7/8 of NIT including list of workers to be deployed by contractor for this work.
24. Contractor shall be responsible for keeping site free of any kind of mosquito breeding. If it is found that breeding is taking place the entire responsibility shall be of contractor to bear challan etc. done by local bodies.
25. GST shall considered as inclusive in quoted rate of agency.
26. Electrical work will be executed only through the agency who is having valid electrical license and the copy of valid electrical license will be submitted before start of work
27. Specialized Work:
 - 27.1 The following works are considered as specialized work.
 - (a). Water Proofing.
 - (b). Aluminum work.
 - (c). Fire Alarm System.
 - 27.2 The above specialized work shall be carried by specialized agencies if they have experience of:
 - (a) 03 similar work of 40% value of specialized work component of Tendered amount.
 - (b) 02 similar work of 60% value of specialized work component of Tendered amount.
 - (c) 01 similar work of 80% value of specialized work component of Tendered amount.
 - 27.3 In case agency himself has executed this work of required magnitude. He shall be treated as a specialized agency.
28. The new fire alarm system shall be seamlessly integrated with the existing system of new LH Complex, Multi Storied Building & R.I Park.
29. Work shall be executed as per the Architectural drawings and instructions of Engineer-in-charge/ Architect or his representatives. The Architectural drawing and instruction of Engineer-in-charge/ Architect shall be strictly adhered.
30. The Audi chair will be got fixed by the agency recommended by original manufacturer of Audi chair and approved by Engineer-in charge.

31. The original warranty certificate from O.E.M/ Original manufacturer of furniture will be obtained by the agency and same will be handed over to the representative of engineer-in-charge.
32. OEM Authorization certificates as per annexure-IV will be submitted by the contractor. The final bill only be cleared after submitting the original warranty certificate & OEM authorization certificate from the manufacturer of the furniture.
33. The name of make/ model number of Audi chair to be procured by the successful bidder shall be as per the choice of the IIT Delhi authorities. The IIT Delhi Authorities' decision in this regard shall be final and binding on the contract.

Fixing Procedure & details of Audi Chair



Procedures:

- Follow the standard guidelines for installation of Dummy base plate.
- Fixing the Dummy grouting plate (preferably in more than 1 location – Ideally 3) as shown above using M10 20 (83L) MM stud Anchor (anchorage length of 67 to 70 mm should go inside the main floor).
- Pull the pipe rigorously (Applying force parallel to the ground).
Note: In case of presence of a carpet, the necessary portion must be removed to carry out this test.

Checks:

- The drilled holes should come out very neat, without any chipping or breaking of edges.
- The compactness of the floor (along the thickness) should be uniform.
- There should not be any crack between 2 adjacent holes of the same base plate (due to vibration or while drilling or when the pin is hammered for driving the foundation expansion bolt).
- There should not be any obstruction to drilling because of steel bars or wire mesh embedded in concrete.
- Wherever possible it should be checked whether crack has appeared on the underside of the slab esp. 1st floor upwards.
- After pulling the pipe rigorously, The Plate should not come out or bolt should not loosen out.

ANNEXURE-IV

To,

The Executive Engineer (CD-III)
 Indian Institute of Technology, Delhi
 Hauz Khas, New Delhi-110016

Name of Work – Renovation and Modification of Seminar Hall in academic area at IIT Delhi.
Sub Head – Civil, Electrical and Furniture work

Subject- OEM/ Original manufacture Of Audi chair authorization certificate- for Audi chair as per BOQ

Dear Sir,

This is to inform you that M/s. (OEM/ Original manufacturer of Audi chair name) having its Regd. Office at Authorizes M/s.(Company name), having its Regd. Office at is hereby authorized to supply, install, test and commission our audi chair against your above mentioned tender. We shall provide full support to M/s.(company name) for our range of products quoted by them to meet the above mentioned tender requirements. We shall provide 2 years standard warranty at no extra cost.

The undersigned is authorized to issue such authorization on behalf of M/s.(OEM name)

For _____

Authorized Signatory (OEM)

FORM OF WATER PROOFING WORKS GUARANTEE BOND ON STAMP PAPER

This agreement made this.....day of two thousand...

 between
 M/s..... (Hereinafter called the Guarantor of the one part) and the
 BOG IIT Delhi (hereinafter called the Govt. of the other part).

Whereas this agreement is supplementary to the contract (hereinafter called the Contract) dated..... Made between the Guarantor of the one part and Govt. of the other part, whereby the contractor inter alia, undertook to render the Buildings and structures in the said contract recited completely water and leak proof.

And whereas the Guarantor agreed to give a guarantee to the effect that the said structure will remain waterproof for **Five years** to be reckoned from the date after the maintenance period prescribed in the contract expires.

During this period of guarantee the Guarantor shall make good all defects and for that matter, shall replace at his risk and cost such members as may be damaged by water and in case of any other defect being found he shall render the building waterproof at his cost to the satisfaction of the Engineer-in- Charge and shall commence the works of such rectification within seven days from the date of issuing notice from the Engineer-in-Charge calling upon him to rectify the defects failing which the work shall be got done by the Department by some other contractor at the Guarantor’s cost and risk and in the latter case the decision of the Engineer-in-charge as to the cost, recoverable from the Guarantor shall be final and binding.

That if the Guarantor fails to execute the waterproofing or commits breaches hereunder then the Guarantor will indemnify principal and his successors against all loss, damage, cost, expense or otherwise which may be incurred by him by reason of any default on the part of the Guarantor in performance and observance of this supplemental agreement. As to the amount of loss and/or damage and/or cost incurred by the Government the decision of the Engineer-in-charge will be final and binding on the parties.

In witness whereof of these presents have been executed by the Obligor...

 and
 by..... For and on behalf of the BOG IIT Delhi on the day, month and year first above written.

SIGNED, SEALED and delivered by OBLIGOR in
 presence of- 1.
 2.

SIGNED for and on behalf of BOG IIT Delhi by in the presence of-
 1.
 2.

Blanks to be filled by Contractor/EE(CD-III)

LIST OF APPROVED MAKES FOR CIVIL & ELECTRICAL WORKS

A:- Civil Items

S. No.	Description	Approved Makes
1	EWC seat covers	HINDWARE/ PARRYWARE/ CERA/ KEROVIT
2	C.P brass fittings/ Accessories	JAQUAR/ MARC/ KOHLAR /KEROVIT
3	PVC Seat Cover	PRAYAG/ POLYTUF/SHAKTI/ PEARL
4	PVC Fittings/ Accessories	PRAYAG/ PRIMA/SHAKTI/ PEARL
5	Cement (Grey) OPC/ PPC Grade-43	ACC/ L&T/J.K/ BIRLA/ULTRA TECH/ VIKRAM
6	Cement(White)	J.K/ BIRLA
7	Reinforcement Steel	PRIMARY MANUFACTURERS APPROVED BY MINISTRY OF STEEL/ SECONDARY MANUFACTURERS HAVING VALID BIS LICENSE (to be as per latest BIS provisions)
8	Structural Steel	PRIMARY MANUFACTURERS APPROVED BY MINISTRY OF STEEL/ SECONDARY MANUFACTURERS HAVING VALID BIS LICENSE (to be as per latest BIS provisions)
9	Stainless Steel (Grade 304)	JINDAL/ SAIL/ SALEM
10	Bricks	COMMERCIALLY AVAILABLE OR REQUIRED STRENGTH
11	Aluminum Sections	HINDALCO/ JINDAL/ MAHAVIR
12	Flush doors	CENTURY/ MERINO/ DURO BOARD/ GREEN
13	Laminates	GREENLAM/ DURO/ ARCHID/ MERINO/ CENTURY
14	Glass	SAINT GOBAIN/ MODI FLOAT/ ASAHI FLOAT
15	Ceramic Glazed tiles/ Border tiles	1ST QUALITY KAJARIA/ NITCO/ JOHNSON/ ORIENT/ SOMANY
16	Vitrified Tiles	JOHNSON/ KAJARIA/ ORIENT/ SOMANY
17	Interlocking Precast paver blocks/ Kerb Stone	HINDUSTAN TILES/ SWASTIK/ DALAL
18	Stainless Steel Hinges	JOLLY/ GARG/ AMIT/ ASJ/ SUPREME
19	Stainless Steel Nuts/ Bolts/ Screws	KUNDAN/ PUJA/ ATUL/ GWK
20	Paint/ primer/ oil bound distemper/ Acrylic paint/ plastic paint	1ST QUALITY PAINTS OF ASIAN/ BERGER/ NEROLAC/ SHALIMAR /DULUX
21	Water Proof Cement Paint/ Exterior Paint	1ST QUALITY PAINTS OF ASIAN PAINTS/ BERGER/ NEROLAC/ SHALIMAR /DULUX
22	Sanitary ware (Vitreous China) (European Seats, Urinals, Wash Basins, etc.)	HINDWARE/ PARRYWARE/ CERA/ KEROVIT
23	G.I Pipes	TATA / JINDAL(HISSAR)/ BHUSHAN/ APL APPOLO
24	G.I Fittings	UNIK/ ZOLOTO/ AM
25	Stainless Steel Sink	NEELKANTH/ JAINA/ KINGSTON (COBRA)
26	Commercial Board/ PLY	MERINO/ DURO/ GREEN/ CENTURY/ KIT (SWASTIK)
27	CI Pipes/ Fittings	RIF/ NECO/ BENGAL IRON WORKS/ BC/ SKF
28	CI Pipes "Class LA"	NICO/ KESORAM/ ELECTRO STEEL/ KAPILANSH
29	Floor Spring	DORMA/ GODREJ/ HAFELE/ GEZE/ OZONE
30	Door Closer	SANDHU/ HARDWIN/DORMA/ GODREJ/ HAFELE/ GEZE/ OZONE
31	Mirror	ATUL/ MOIGUARD / SAINT GOBAIN/ AASHI
32	Vertical Blinds	VISTA/ MAC/ MARVEL DÉCOR/ SAINT GOBAIN/DECK DÉCOR
33	False Ceiling	ARMSTRONG/ SAINT GOBAIN/ META WORTH
34	Water proofing compound	SIKA/ FOSROC/ PIDILITE/ ASIAN/BASF/CICO
35	Particle Board	NOVA PAN/ BHUTAN BOARD/ ECO BOARD
36	Adhesive	FEVICOL/ VAMICOL/ DUNLOP/ VAM ORGANIC / kajaria
37	Tile Adhesive	PIDILITE/ FERROUSCRETE/ BALLENDURA/ CICO
38	Wall Putty	BIRLA /JK/ SARA

39	Epoxy Grout	BALLENDURA / KERAKOLL/ FERROUSCRETE
40	PVC Water storage tank (ISI marked)	SINTEX/ UNI PLAST/ POLYWELL
41	PVC insulated Water storage tank Heavy Duty 4/5 layer	SINTEX/ UNIPLAST/ POLYWELL/ EURO
42	Brass Ball Valve/ Gate Valve/ Float Valve / Butterfly valve	ZOLOTO/ AM/ LEADER/ SANT
43	Aluminium Door fittings	CLASSIC/ EVEREST/ ARGENT
44	Brass Bib/ Stop cock	AGI/ ELITE/ SHAKTI/ SANT/ LEADER/ PRIMA
45	Thermoplastic paint	CBM/ CMS/ S.N. INDUSTRIES
46	Plaster of Paris Putty	ADHASHREE/ SHREE RAM/ J.K/ BIRLA
47	RCC Pipe	LAKSHMI/ SOOD & SOOD/ JAIN &Co./ DIWAN SPUN PIPES
48	PVC Pipe	PRAKASH/ PRINCE/ SUPREME
49	Sandwich Roof Panel (Puff Panel)	KAKTUS/ ZEP/ E- PACK/ LLOYED
50	WPC Board and MPC Board	FLORESTA, ECOSTE, RAJ SHREE
51	WPC Door Frame	FLORESTA, ECOSTE, RAJ SHREE
52	Self- Closing Hinges	HETTICH, KITCH, PLUM
53	Poly Carbonate Sheet	GE LEXAN/ POLYGAL/TUFLITE
54	ACP Panel	ALSTRONG /ALUCOBOND / EUROBOND/ ALUDECOR
55	Acoustic Wooden/Fabric Paneling	ARMSTRONG / ANUTONE/ CREDENCE / TOPAKUSTIC
56	Polyvinyl Flooring	ARMSTRONG / POLY FLOR/ TARKETT
57	Glow Stud, Solar Power Stud	ROAD STAR/ 3M/ DARK EYE/ EVERY DENNISON
58	Laminate Wooden Flooring	VISTA/ ACTION TESA/ ARMSTRONG/ PERGO
59	Sun Control Film	3M/ GARWARE/ SAINT GOBAIN
60	Insulation (Mineral / rock wool)	UP TIWAGA LTD / ROCKWOOL IND./ F.G.P.
61	Fire Door	NAVAIR/ SHAKTI/ RADIANT/SIGNUM/PROMAT
62	Flush door Shutters of various thickness	MERINO/ DURO/ GREEN/ CENTURY/ KIT (SWASTIK)
63	Open cell false ceiling	ARMSTRONG /CREDENCE /HUNTER DOUGLAS
64	Calcium silicate false ceiling	AEROLITE, RAMCO, HILUX, USG BORAL
65	Gypsum Board	GYPROC BY SAINT GOBAIN, USG BORAL, ARMSTRONG
66	Fiber Cement Board	EVEREST/ USG BORAL / VISAKA
67	CPVC Pipe Fitting & Solvent	SUPREME/ ASTRAL/ ASHIRWAD / PRINCE / PRAKASH
68	UPVC Pipes & Fittings	SFMC / SUPREME/ FINOLEX
69	UPVC Window	FENESTA / REHAU/ ENCRAFT/ (NCL Wintech)/ SAINT GOBAIN
70	Friction Stay Hinges	EARL- BIHARI/ EBCO/HETTICH
71	M.S Pipes	JINDAL/ APPOLO/ SWASTIK / TATA / SURYA
72	Gypsum Plaster	FERROUS CRETE (FERRO-500)/ GYPROC (ELITE-100)/ KERAKOL (K-100)
73	GRC Wall Tile / Jali	UNISTONE/ DALAL/ SWASTIK ALWAR / ULTRA
74	HDMR Board	CENTURY/ GREEN/ ACTION TESSA
75	High Pressure Laminate(HPL)	CENTURY/ GREEN / MERINO/TRESPA/ FUNDERMAX
76	Anchor Fastener(Mechanical/ Chemical)	HILTI/ MUNGO/CANON/ FISCHER/ WUERTH
77	Cupboard Lock	PLAZA/ GODREJ/ HETTICH/ HAFLEY
78	Rust remover / Rust converting primer /paint	FOSROC/SIKA/BASF/PIDILITE
79	polymer based zinc rich primer	FOSROC/SIKA/BASF/PIDILITE
80	anticorrosive paint	FOSROC/SIKA/BASF/PIDILITE
81	Concrete penetrating HI-TECH Corrosion inhibitor	FOSROC/SIKA/BASF/PIDILITE
82	Thixotropic Epoxy repair mortar	FOSROC/SIKA/BASF/PIDILITE
83	Latex / SBR Polymer Compound	FOSROC/SIKA/BASF/PIDILITE
84	Low viscous epoxy resin grout	FOSROC/SIKA/BASF/PIDILITE
85	Epoxy resin for Concrete bond coat	FOSROC/SIKA/BASF/PIDILITE
86	Pre-batched non-shrink polymer modified	FOSROC/SIKA/BASF/PIDILITE

	mortar	
87	Pre-batched Pre Mixed Non- Shrink Micro Concrete	FOSROC/SIKA/BASF/PIDILITE
88	Pre-batched Pre Mixed Non- metallic composite fiber wrapping system	FOSROC/SIKA/BASF/PIDILITE
89	Epoxy for rebar/shear anchor	FOSROC/SIKA/BASF/HILTI
90	Modular kitchen basket and accessories (SS-304 Grade)	HETTICH/ KITCH/ PLUM / PECOCK
91	Manhole cover /Grating	KK MANHOLE / DALAL / SWASTIK / HINDUSTAN
92	lamine wooden flooring	VISTA / ARMSTRONG / ACTION TESSA
93	Engineered wood Flooring	PERGO / JUNKERS / BOEN / SQUARFOOT
94	SS Pipe (304 grade) FOR WATER SUPPLY	JINDAL / TATA / ALFA PRESS / VIEGA
95	Epoxy flooring	FOSROC / SIKA / BASF
FURNITURE		
96	Work Station	GODREJ INTERIO/ HAWORTH / STEEL CASE/ WIPRO/ FEATHERLITE/ HERMAN MLLER
97	Executive Table/ other table	GODREJ INTERIO/ HAWORTH / STEEL CASE/ WIPRO/ FEATHERLITE/ HERMAN MLLER
98	Chair / Audi Chair	GODREJ INTERIO/ HAWORTH / STEEL CASE/ WIPRO/ FEATHERLITE/ HERMAN MLLER
99	Lab Furniture's	KEWANEE / WALDNER / GODREJ/ WIPRO / FEATHERLITE
100	Hostel beds and cots	ZUARI / EVOK / GODREJ / WIPRO / FEATHERLITE
101	Hospital beds	HUNTLEY / STRIKER /GODREJ /WIPRO /FEATHERLITE
ITEMS FOR CLEAN ROOM / BSL / SRTERLIZATION / SPECIAL LAB FURNITURE		
102	Clean room Wall, Ceiling panel, coving	IClean/ Nicomac/ Clestra/ Channel Systems
103	Clean room Garment cabinet, shoe rack	IClean/ Kleainzaid/ Channel Systems
104	Cleanroom Doors, Return air riser	IClean/ Nicomac/ Clestra/ Channel Systems
105	Pass box, Air Shower	IClean/ Kleainzaid/ Channel Systems
106	Utility Gas piping valves and Fittings (for clean room)	Shavo Technologies / Excel Gas/ GDS STARLING / Broen / Ratnamani
107	Utility Gas Pipe SS 304 Seamless (for clean room)	Excel Gas / Scoda / Venus / Dockweller
108	SS 316 L Electro polished tubing	Dockweller / Valex / Sandvik / Ratnamani
109	Chilled water pump	Grundfos/ KBL / Beacon / Wilo
110	Insulation for pipe and valves	Armaflex/ K Flex/ A flex/ Supreme
111	Auto Air vent, Y strainer	Anergy / Zoloto / Lehry
112	3 way modulating valve, Flow switch	Siemens / Honeywell
113	Humidistat, Thermostat, DP Sensor	Siemens / Honeywell
114	Magnehalic gauge	Dwyer / Sensocon / Micro precision
115	Temperature Pressure gauge	H Guru / Wika / Febig
116	Pre Insulated Ducting	RR Engineers /Asawa / Paul
117	Thermal Insulation for GI ducting	Supreme/K. Flex/A Flex/Armaflex
118	HEPA Filters, HEPA terminal, BIBO unit	AAF/Camfil/ Thermadyne / Mechmaark
119	Building Management System	Honeybell / Siemens / Johnson
120	Biometric Access System	Siemens / Vantage / ExcelLex
121	Door Interlock	Honeywell/Vantage / Drishti / Ozone
122	Thyristor Heater	KEPL/Intercool/ Rapid Cool
123	Compressed Dry Air (Oil free type)	Atlas Copco / Chicago Pneumatics Ingersol Rand / Elgi
124	Antivibration mounting	Resistoflex/ Gerb / polybond
125	Variable Frequency Drive	ABB / Danfos / Fuji
126	Lab Casework	Kewaunee/GD-Waldner/Godrej/Citizen/ Lab india / lab guard
127	Fume Hoods	Kewaunee/GD-Waldner/Godrej/Citizen/ Lab india / lab guard
128	Utility Valves	Broen/Water Saver/FAR
129	VAV Controls	TEL

130	Spot Extractor	Fumex/ Alsident
131	Exhaust blower	Colasit / Plastifier/ Seat
132	Acid storage	Kewaunee/ Justrite/Asecos
133	Solvent storage (FM)	Kewaunee/ Justrite/Asecos
134	Chemical storages	Kewaunee/GD-Waldner/Godrej/Citizen
135	Document Storages	Kewaunee/GD-Waldner/Godrej/Citizen/ Lab india / lab guard
136	Bio safety cabinet	Kewaunee/ Klenzaid/ Esco / Fisher
137	Laminar air flow	Kewaunee/ Klenzaid/ Esco / Fisher
138	Laboratory chairs (SS)	Kewaunee/GD-Waldner/Godrej/Citizen
139	Lab Stools (SS)	Kewaunee/Godrej/Citizen/Filtotech/Universal

B:- E & M Items

S. No	Description	Approved Makes
01	MCB(10KA)/ Isolators & MCB DB with End Box.	Legrand /Havells/ Siemens/ L&T / ABB/ Schneider/ C&S.
02	MCCB	Legrand /Havells/ Siemens/ L&T / ABB/ Schneider/ C&S.
03	MCCB BOX	Legrand /Havells/ Siemens/ L&T / ABB/ Schneider/ C&S.
04	Modular type switch/ socket, TV socket, Fan Regulator.	Havells Crabtree / L&T/ ABB/ Wipro North West/ Legrand(Arteor/ Myrius)/ Schneider (Zencelo).
05	Steel conduit pipe and Accessories (ISI)	BEC/ AKG/ NIC / Steel Krafts
04	PVC conduit pipe and Accessories(ISI)	BEC/ AKG/ NIC
05	Junction Boxes/ MS Boxes	Havells Crabtree / Anchor / North West / Legrand
06	Bushes	PVC/ Nylon
07	FRLS PVC insulated copper conductor cable	Polycab / Finolex / Havells/ KEI/ Universal
08	LED Light Fixture	Philips/ Trilux/ Bajaj/ Wipro/Crompton/ Havells/ Halonix
09	Ceiling Fans (BLDC) & Wall Fan	Havells/ Atomberg/ Bajaj/ Crompton/USHA.
10	Exhaust Fan/ Fresh Air Fan	Havells/ Bajaj/ Crompton/USHA.
11	Industrial type socket	Legrand /Havells/ Siemens/ L&T / ABB/ Schneider/ C&S.
12	DLP U-PVC channel & accessories	Schneider / Legrand
13	Modular Plate & Cover Plate	Havells Crabtree / L&T/ ABB/ Wipro North West/ Legrand(Arteor/ Myrius)/ Schneider (Zencelo).
14	Distribution Board	Legrand /Havells/ Siemens/ L&T / ABB/ Schneider/ C&S.
15	XLPE Alumium/ Copper conductor Armoured cable	Havells/ Gloster/ Polycab/ Finolex/ RR kabel/ KEI/ Universal/ Rallison
16	Multifunction Meter	L&T/ AE/ Schneider/ Rishabh/ HPL
17	Ammeter	L&T/ AE/ Universal/ Rishabh/ Meco/ Kaycee/ Enercom
18	Voltmeter	L&T/ AE/ Universal/ Rishabh/ Meco/ Kaycee/ Enercom
19	Frequency Meter	Digitron/ AE/ Rishabh/ Meco/ Keltron.
20	CT's	L&T/AE/ KAPPA/ Pragati/ Marshal/ L&T
21	Selector Switches	L&T/AE/ KAPPA/ Pragati/ Marshal/ L&T
22	Contractors	L&T/ Seimens/ GE power/ Crompton/ Havells/ Legrand
23	Push button & Pilor lamps	BCH/ L&T/ Seimens/ Vaishno
24	LED indicating Lights	L&T/ Siemens/ Kaycee/ Crompton/ Vaishno
25	GI Pipe	Jindal Steel/ Jindal Hisar/ Sail/ Tata
26	DW HDPE Pipe	Reliance/ Duraline/ Hasti
27	Cat 6 LAN Cable	Legrand/ Molex/ Amp
28	Air conditioners	Mitsubishi/ O general/ Hitachi/ Daikin/ Blue Star/ Carrier/ LG/ Lloyds/ Panasonic/ Voltas
29	Access Control System	Bosch/ Honeywell/ HID/ Nextwatch
30	Intruder Alarm System	Ademco/ bosch/ DSC/ Honeywell

31	Cable raceway floor/ wall mounted & Accessories(MS/G.I)	Legrand/ AKG/ BEC/ ESSAR/ Honeywell/ Godrej.
32	Sandwich Bus trunking/ Rising Main	C&S/ L&T/ Schneider/ ABB.
33	Telephone wire	Delton/ Finolex/ Havells/ Skytone
34	Occupancy Sensor	Wipro/ Schneider/ Honeywell/ Seimens/ Bosch
35	Gooseneck Microphone	Televic/ Beyerdynamic/ Bosch/ Bose/ Sennheiser
36	Amplifier	Crown/ Extrom/ Crestron
37	24 Port Switch	Cisco/ Netgear/ Hp/ Juniper
38	8 Port LIU	Legrand/ AMP/ Molex
39	16 Port Gigabit POE Switch	Netgear/ Juniper/ Cisco
40	HDMI/ USB Cable	AMX/ Crestron/ Manhattan
41	AV Speaker	JBL/ Bosch/ Bose/ Sony
42	CCTV Camera	Pelco/ Bosch/ Honeywell
43	DVR (Digital Video Recorder)	Bosch/ Honeywell/ Pelco
44	Fire Suppression System	Minimax/ Ceasefire/ Ansul
45	Fire Panel	Johnson Control (IFC)/ Notifier (UL) / Bosch (UL) / Mircom (UL) / Fike (UL).
46	PA System	Notifier/ Johnson Control/ Fike/ Cooper/ Bosch/ Honeywell
47	Addressable Heat/ Smoke detector/ Hooter/ RI/ Pullstation/	Johnson Control (IFC)/ Notifier (UL) / Bosch (UL) / Mircom (UL) / Fike (UL).
48	Conventional Heat/ Smoke detector/ Hooter/ RI/ Pullstation/	System Sensor/ Cooper/ GST/ Ravel/ Fike/ Essar/ Honeywell/ Bosch/ Bosch
49	Cable joint Kit	Raychem/ M-Seal/ Densons/ 3M

BID SUBMISSION

ONLINE BID SUBMISSION

The Online bids (complete in all respect) must be uploaded online in **two** Envelops as explained below: -

Envelope – 1			
(Following documents to be provided as single PDF file)			
Sl. No.	Documents	Content	File Types
1.	Technical Bid	Demand Draft/Pay order or Banker`s Cheque /Deposit at Call Receipt/FDR of any Scheduled Bank against EMD.	.PDF
2.		Enlistment order of contractor.	.PDF
3.		Attested certificate of work experience.	.PDF
4.		Certificate of Registration of GST and acknowledgment of up to date field return of GST.	.PDF
5.		Affidavit as per Notice Inviting Tender Condition 1.2.2 page 20 of NIT. (Affidavit shall be purchased/ notarized between date of publishing and last date of submission of bids beside this NIT/Tender ID and name of work must be mentioned on the affidavit.)	.PDF
6.		Acceptance to execute INTEGRITY PACT.	.PDF
7.		Undertaking as per on firm`s letter head.ss` “the physical EMD shall be deposited by me / us with the Authority inviting the tender, in case I / we become the lowest tenderer, within a week of the opening of financial bid, otherwise, department may reject the tender and also take action to debar me / us from tendering in any form in IIT Delhi”	.PDF
8.		ESI and EPF Registration.	PDF
9.		FORM "F" (Duly filled with all required details	.PDF
10.		Proof of tender fees	.PDF
11.		In case of Partnership firm if all the papers of tender not signed by all the partners than a power of attorney authorizing the person who has signed the tender paper must be uploaded with the tender documents.	PDF
12.		Annexure-I (duly filled & signed by the bidders)	PDF
13.		Annexure-II (duly filled & signed by the bidders)	PDF
14.		Annexure-III (duly filled & signed by the bidders)	PDF
15.		Any other documents specified in NIT	PDF
Envelope – 2			
Sl. No.	TYPES	Content	
1.	Financial Bid	Price bid should be submitted in BOQ format.	.Xls

All above documents shall be as per Tender Notice.

PART 'C'
SCHEDULE OF QUANTITY

Name of work: - Renovation and modification of Auditorium Hall and waiting lounge in Vishwakarma Bhawan at IIT Delhi.

Sub Head: - Civil, Electrical & Fire Fighting Work.

Sr. No	Description	Qty	Unit	Rate	Amount
	A- CIVIL WORK				
1	Providing and laying in position cement concrete of specified grade excluding the cost of centering and shuttering - All work up to plinth level :				
1.1	1:2:4 (1 Cement : 2 coarse sand (zone-III) derived from natural sources : 4 graded stone aggregate 40 mm nominal size derived from natural sources)	10.00	cum		
2	Centering and shuttering including strutting, propping etc. and removal of form for				
2.1	Lintels, beams, plinth beams, girders, bressumers and cantilevers	4.00	sqm		
3	Brick work with common burnt clay F.P.S. (non modular) bricks of class designation 7.5 in superstructure above plinth level up to floor V level in all shapes and sizes in :				
3.1	Cement mortar 1:4 (1 cement : 4 coarse sand)	7.00	cum		
4	Providing and fixing aluminium sliding door bolts, ISI marked anodised (anodic coating not less than grade AC 10 as per IS : 1868), transparent or dyed to required colour or shade, with nuts and screws etc. complete :				
4.1	250x16 mm	6.00	each		
5	Providing and fixing aluminium tower bolts, ISI marked, anodised (anodic coating not less than grade AC 10 as per IS : 1868) transparent or dyed to required colour or shade, with necessary screws etc. complete :				
5.1	250x10 mm	6.00	each		
6	Providing and fixing aluminium handles, ISI marked, anodised (anodic coating not less than grade AC 10 as per IS : 1868) transparent or dyed to required colour or shade, with necessary screws etc. complete :				
6.1	125 mm	9.00	each		

7	<p>Providing and laying Polished Granite stone flooring in required design and patterns, in linear as well as curvilinear portions of the building all complete as per the architectural drawings with 18 mm thick stone slab over 20 mm (average) thick base of cement mortar 1:4 (1 cement : 4 coarse sand) laid and jointed with cement slurry and pointing with white cement slurry admixed with pigment of matching shade including rubbing, curing and polishing etc. all complete as specified and as directed by the Engineer-in-Charge.</p>				
7.1	<p>Polished Granite stone slab colour of Black, Cherry/Ruby Red or equivalent</p>	86.00	sqm		
8	<p>Providing and fixing false ceiling at all height including providing and fixing of frame work made of special sections, power pressed from M.S. sheets and galvanized with zinc coating of 120 gms/sqm (both side inclusive) as per IS : 277 and consisting of angle cleats of size 25 mm wide x 1.6 mm thick with flanges of 27 mm and 37mm, at 1200 mm centre to centre, one flange fixed to the ceiling with dash fastener 12.5 mm dia x 50mm long with 6mm dia bolts, other flange of cleat fixed to the angle hangers of 25x10x0.50 mm of required length with nuts & bolts of required size and other end of angle hanger fixed with intermediate G.I. channels 45x15x0.9 mm running at the spacing of 1200 mm centre to centre, to which the ceiling section 0.5 mm thick bottom wedge of 80 mm with tapered flanges of 26 mm each having lips of 10.5 mm, at 450 mm centre to centre, shall be fixed in a direction perpendicular to G.I. intermediate channel with connecting clips made out of 2.64 mm dia x 230 mm long G.I. wire at every junction, including fixing perimeter channels 0.5 mm thick 27 mm high having flanges of 20 mm and 30 mm long, the perimeter of ceiling fixed to wall/partition with the help of rawl plugs at 450 mm centre, with 25mm long dry wall screws @ 230 mm interval, including fixing of gypsum board to ceiling section and perimeter channel with the help of dry wall screws of size 3.5 x 25 mm at 230 mm c/c, including jointing and finishing to a flush finish of tapered and square edges of the board with recommended jointing compound, jointing tapes, finishing with jointing compound in 3 layers covering upto 150 mm on both sides of joint and two coats of primer suitable for board, all as per manufacturer's specification and also including the cost of making openings for light fittings,</p>				

	grills, diffusers, cutouts made with frame of perimeter channels suitably fixed, all complete as per drawings, specification and direction of the Engineer in Charge but excluding the cost of painting with :				
8.1	12.5 mm thick tapered edge gypsum moisture resistant board	189.00	sqm		
9	Providing and fixing thermal insulation with Resin Bonded rock wool conforming to IS: 8183, having density 48 kg/m ³ , 50 mm thick, wrapped in 200 G Virgin Polythene Bags fixed to wall with screw, rawel plug & washers and held in position by criss crossing GI wire etc. complete as per directions of Engineer- in- Charge.	360.00	sqm		
10	12 mm cement plaster of mix :				
10.1	1:4 (1 cement: 4 coarse sand)	115.00	sqm		
11	15 mm cement plaster on rough side of single or half brick wall of mix:				
11.1	1:4 (1 cement: 4 coarse sand)	115.00	sqm		
12	Wall painting with acrylic emulsion paint of approved brand and manufacture to give an even shade :				
12.1	Two or more coats on new work	1172.00	sqm		
13	Painting with synthetic enamel paint of approved brand and manufacture of required colour to give an even shade :				
13.1	Two or more coats on new work over an under coat of suitable shade with ordinary paint of approved brand and manufacture	280.00	sqm		
14	Providing and applying white cement based putty of average thickness 1 mm, of approved brand and manufacturer, over the plastered wall surface to prepare the surface even and smooth complete.	1172.00	sqm		
15	Removing dry or oil bound distemper, water proofing cement paint and the like by scrapping, sand papering and preparing the surface smooth including necessary repairs to scratches etc. complete.	983.00	sqm		
16	Repairs to plaster of thickness 12 mm to 20 mm in patches of area 2.5 sq.meters and under, including cutting the patch in proper shape, raking out joints and preparing and plastering the surface of the walls complete, including disposal of rubbish to the dumping ground, all complete as per direction of Engineer-in-Charge.				
16.1	With cement mortar 1:4 (1 cement : 4 fine sand)	58.00	sqm		

17	Demolishing cement concrete manually/ by mechanical means including disposal of material within 50 metres lead as per direction of Engineer - in - charge.				
17.1	Nominal concrete 1:3:6 or richer mix (i/c equivalent design mix)	11.00	cum		
18	Demolishing R.C.C. work manually/ by mechanical means including stacking of steel bars and disposal of unserviceable material within 50 metres lead as per direction of Engineer - in- charge.	2.00	cum		
19	Demolishing brick work manually/ by mechanical means including stacking of serviceable material and disposal of unserviceable material within 50 metres lead as per direction of Engineer-in-charge.				
19.1	In cement mortar	7.00	cum		
20	Dismantling doors, windows and clerestory windows (steel or wood) shutter including chowkhats, architrave, holdfasts etc. complete and stacking within 50 metres lead :				
20.1	Of area 3 sq. metres and below	7.00	each		
21	Dismantling wood work in frames, trusses, purlins and rafters up to 10 metres span and 5 metres height including stacking the material within 50 metres lead :				
21.1	Of sectional area 40 square centimetres and above	16.00	cum		
22	Dismantling wooden boardings in lining of walls and partitions, excluding supporting members but including stacking within 50 metres lead :				
22.1	Thickness above 10 mm up to 25 mm	252.00	sqm		
23	Dismantling cement asbestos or other hard board ceiling or partition walls including stacking of serviceable materials and disposal of unserviceable materials within 50 metres lead.	184.00	sqm		
24	Disposal of building rubbish / malba / similar unserviceable, dismantled or waste materials by mechanical means, including loading, transporting, unloading to approved municipal dumping ground or as approved by Engineer-in-charge, beyond 50 m initial lead, for all leads including all lifts involved.	78.00	cum		

25	Providing and fixing aluminium work for doors, windows, ventilators and partitions with extruded built up standard tubular sections/ appropriate Z sections and other sections of approved make conforming to IS: 733 and IS: 1285, fixing with dash fasteners of required dia and size, including necessary filling up the gaps at junctions, i.e. at top, bottom and sides with required EPDM rubber/ neoprene gasket etc. Aluminium sections shall be smooth, rust free, straight, mitred and jointed mechanically wherever required including cleat angle, Aluminium snap beading for glazing / paneling, C.P. brass / stainless steel screws, all complete as per architectural drawings and the directions of Engineer-in-charge. (Glazing, paneling and dash fasteners to be paid for separately) :				
25.1	For fixed portion				
25.1.1	Powder coated aluminium (minimum thickness of powder coating 50 micron)	501.00	kg		
25.2	For shutters of doors, windows & ventilators including providing and fixing hinges/ pivots and making provision for fixing of fittings wherever required including the cost of EPDM rubber / neoprene gasket required (Fittings shall be paid for separately)				
25.2.1	Powder coated aluminium (minimum thickness of powder coating 50 micron)	368.00	kg		
26	Providing and fixing 12 mm thick prelaminated particle board flat pressed three layer or graded wood particle board conforming to IS: 12823 Grade I Type II, in panelling fixed in aluminum doors, windows shutters and partition frames with C.P. brass / stainless steel screws etc. complete as per architectural drawings and directions of engineer-in-charge.				
26.1	Pre-laminated particle board with decorative lamination on both sides	9.00	sqm		
27	Providing and fixing glazing in aluminium door, window, ventilator shutters and partitions etc. with EPDM rubber / neoprene gasket etc. complete as per the architectural drawings and the directions of engineer-in-charge . (Cost of aluminium snap beading shall be paid in basic item):				
27.1	With float glass panes of 5 mm thickness (weight not less than 12.50 kg/sqm)	33.00	sqm		

28	Providing and fixing double action hydraulic floor spring of approved brand and manufacture conforming to IS : 6315, having brand logo embossed on the body / plate with double spring mechanism and door weight upto 125 kg, for doors, including cost of cutting floors, embedding in floors as required and making good the same matching to the existing floor finishing and cover plates with brass pivot and single piece M.S. sheet outer box with slide plate etc. complete as per the direction of Engineer-in-charge.				
28.1	With stainless steel cover plate minimum 1.25 mm thickness	8.00	each		
29	Providing and fixing Brass 100mm mortice latch and lock with 6 levers without pair of handles (best make of approved quality) for aluminium doors including necessary cutting and making good etc. complete.	2.00	each		
30	Providing & fixing in position Phenol bonded Bamboowood flooring with planks of sizes 14mm thick, minimum 1800mm length and minimum 100 mm wide, in approved colour, texture and finish, having Performance Appraisal Certificate (PAC) issued by Building Materials & Technology Promotion Council (BMTPC). The flooring shall be fixed with tongue and groove interlocking system, with underlayment of 4mm thick expanded polyethylene foam sheets having density 40kg/cum, over prepared surface with necessary quarter round planks of size 1900mm x 18mm and door reducer of size 1900mm x 44mm, wherever required. The bamboowood planks shall have minimum density of 1000 Kg/cum & minimum Hardness 1000 Kgf. with Eco friendly UV coating, all complete as per direction of the Engineer-in-charge.	66.00	sqm		

31	<p>Providing & fixing in position Phenol bonded Bamboo wood in wall skirting with planks of sizes 14mm thick, 1900mm length (minimum) and 85mm wide(minimum), in approved colour, texture and finish, having Performance Appraisal Certificate (PAC) issued by Building Materials & Technology Promotion Council (BMTPC). The skirting shall be fixed with SS screws & rawl plugs, over underlayment of 4mm thick, expanded polyethylene foam sheets having 40kg/cum density over prepared surface. The bamboowood planks shall have minimum density of 1000Kg/cum & minimum Hardness 1000 Kgf. with Eco friendly UV coating, all complete as per direction of the Engineer in-charge.</p>	4.00	sqm		
32	<p>Providing and fixing mineral fibre false ceiling tiles at all heights of size 595X595mm of approved texture, design and pattern. The tiles should have Humidity Resistance (RH) of 99%, Light Reflectance ? 85%, Thermal Conductivity $k = 0.052 - 0.057$ w/m K, Fire Performance as per (BS 476 pt - 6 &7)in true horizontal level suspended on interlocking T-Grid of hot dipped all round galvanized iron section of 0.33 mm thick (galvanized @120 gsm) comprising of main T runners of 15x32 mm of length 3000 mm, cross T of size 15x32mm of length 1200 mm and secondary intermediate cross T of size 15x32 mm of length 600 mm to form grid module of size 600x600 mm suspended from ceiling using galvanized mild steel item (galvanised@80gsm) 50 mm long 8mm outer diameter M-6 dash fasteners, 6 mm diameter fully threaded hanger rod up to 1000 mm length and L-shape level adjuster of size 85x25x2 mm, spaced at 1200 mm centre to centre along main 'T'. The system should rest on periphery walls /partitions with the help of GI perimeter wall angle of size24x24X3000 mm made of 0.40 mm thick sheet, to be fixed to the wall with help of plastic rawl plug at 450 mm centre to centre & 40 mm long dry wall S.S. screws. The exposed bottom portion of all T-sections used in false ceiling support system shall be pre-painted with polyester baked paint, for all heights. The work shall be carried out as per specifications, drawings and as per directions of the engineer-in-charge.</p>				
32.1	<p>With 20 mm thick beveled tegular mineral fibre false ceiling tile (NRC 0.7)</p>	270.00	sqm		

33	<p>Providing an fixing factory made single extruded WPC (Wood Polymer Composite) solid wood/ window/ clerestory window frames/ chowkhat comprising of virgin PVC polymer of K value 58- 60 (Suspension Grade), calcium carbonate and natural fibers (wood powder/ rice husk/ wheat husk) and nontoxic additives (maximum toxicity index of 12 for 100gms) fabricated with miter joints after applying PVC solvent cement and screwed with full body threaded star headed SS screws having minimum frame density of 750kg/cum, screw withdrawal strength of 2200N (face) & 1100N (edge), minimum compressive strength of 58N/mm² and modulus of elasticity 900N/mm² and resistance of spread of flame of class A category with property of being termite/ borer proof, water /moisture proof and fire retardant and fixed in position with M.S. hold fast/ lugs/ SS dash fasteners of required dia and length complete as per direction of Engineer in Charge, (M.S. hold fast/lugs or SS dash fasteners shall be paid for separately) Note: For WPC (Wood Polymer Composite) solid wood/ window frames minus 5mm tolerance to dimensions i.e. depth and width of profile shall be acceptable. Variation in profile dimensions on plus side shall be acceptable but no extra payment on this account shall be made.</p>				
33.1	Frame size 50 x 100 mm	29.00	metre		

34	<p>Supplying and placing in position auditorium chair of Godrej Make Jupiter mid back chair with following specifications. The seat shall be made of Polyurethane Foam moulded with 1.5 ±0.1cm. thk. plywood inser and shall be upholstered with fabric. Approx. Seat Size shall be: Depth: 42.0cm, Width @ rear: 44.0cm. Width @ front: 41.0cm. The back assembly shall be flexing type and made of Polyurethane Foam moulded with MS. tubular frame insert and shall be upholstered with fabric and back cover. The insert shall be made of 01.9 ±0.02cm x 0.16 ±0.0.128cm. thk. MS tubular frame with flexible nylon straps running across the length and width of the frame. Approx; Back-Size shall be: Height: 65.5cm, Width @ top: 34.5cm. Width @ seat level: 46.0cm. The HR polyurethane foam shall be moulded with density = 45 +/-2 kg/m³. The back cover and echanism cover shall be vacuum formed from black ABS sheets. The Armrest understructure shall be upholstered PU foam moulded with MS insert. Arm tops shall be made of black Integral Skin polyurethane with 50-70 Shore 'A' Hardness & reinforced with wooden insert. Armrest width= 7.0 ±0.5cm and shall be offered as common/individual armrest between chairs. • MS black powder coated (DFT 40-60 microns) understructure with integrated, auto tip-up mechanism which folds the seat when not in use.</p> <ul style="list-style-type: none"> • Footprint area of base plate shall be made of HR steel 15.0 ±0.2cm X 22.0 ±0.2cm X 0.5 ± 0.05 cm thick. • Backrest supporting beam width shall be-46.0 ±0.2cm.(L) x 8.0 ±0.03cm. x 4.0 ±0.03cm. x 0.2 ±0.016cm MS tube. • Understructure fixed to ground by anchors with washer and nut. The auditorium chair shall be designed to get mounted/grouted on floors .Overall Dimensions of Chair shall be Seat Height - 46.5 cm, Height - 89.0 cm, Width & Depth of Chair Width(w1)-53.0cm(individual), width(W2) - 60.0 cm.(common arm) and Depth-69.0 cm.(normal) , Depth(D2)-54.0(seat folded). 	130.00	Each		
35	<p>Supply and installation of required size, shape, design and colour (as per enclosed drawing) Chair as per approved make and direction of Engineer- in-charge (Make-Godrej- Model no-Motion HB Chair/ equivalent of Featherlite/ equivalent of Wipro). In this estimate Godrej Interio Motion HB Chair in chair series has been considered . In Case of other makes, technical specifications should be equivalent and cost adjustment shall also be done if the equivalent make of lesser market price than Goderj interio)</p>	15.00	Each		

36	<p>Providing wall panelling of Armstrong Industries or approved equivalent make as per specification and direction of EIC at all heights and levels.</p> <p>(a) Providing and Fixing Channelled Woodworks perforated panels of Armstrong Industries / Saint Gobain or approved equivalent make of width 192mm, thickness 15mm and length 2400mm or as required by the Engineer-in-Charge, made of a medium density particle board substrate with a laminated facing as per the approved shade/ species & finish and a melamine balancing layer on the reverse side. The boards shall have a special perforation pattern where the visible surface has a (“Helmholtz” fluted perforation of 3mm width and 21mm visible panel) each. The panels shall provide a minimum sag resistance of RH90 and a fire rating class of 1 as per Part 7 of BS 476. The edges of the panels shall be “tongue-and-grooved” to receive special clips for installation. The back of the perforated panel shall have sound absorbing non-woven acoustical fleece with NRC > 0.5. The panels shall be mounted on special aluminium splines using clips as approved by the Engineer-in-Charge</p> <p>(b) Install wooden battens (provided by others) of section 50x50mm or as approved by the Architect on the solid wall horizontally using screws and plugs at spacing of 600mm centre-to-centre. Screw the aluminium extruded keel for channelled woodworks provided by Armstrong over the lowest and second wooden batten at an on-centre distance of 600mm. Install the Skirting (provided by others) of width 50mm or more as required by the Architect/ Engineer-in-Charge and insert the tongue end of the panel in the skirting. Place the inside clip on the groove end of the panel along the Al keel and then place the tongue end of the next panel. Continue installing rows of panels by inserting the tongue into the groove of the earlier inserted panel and progressively installing inside clips into the next keel till the actual height is achieved. Finish off the edges using wooden moulding of matching colour (provided by others). Installation to be carried out by Armstrong Trained Installation team & Installation should be carried out as per Armstrong recommended procedure.</p>	460.00	Sqm		
----	--	--------	-----	--	--

37	Providing and fixing 2 mm thick homogeneous Polyvinyl chloride sheet / tile in flooring & skirting in approved pattern on a smooth and damp proof base using rubber based adhesive of approved quality and manufactured like Fevicol SR 998 or equivalent including rolling with light wooden roller weighing about 5 kg. The floor finish should terminate at the room perimeter passing over a concealed cove former and continuing up the wall for 100mm. The joints in the flooring should be sealed by using a PVC welding bar of matching colour to be supplied by the manufacturer, using a hot air gun for fusion of welding bar with flooring. all complete as directed by Engineer - in - Charge, in approved colour and shade.	364.00	Sqm		
38	Providing and fixing factory made hot pressed both side laminated flush door ready made shutter with one mm thick decorative laminate on both side conforming to IS:2202 (Part-I) non decorative type, core of block board construction with frame of 1st class hard wood and well matched teak 3 ply veneering with vertical grain or cross bands and face veneer on both face of shutters. (a)35mm thick including ISI marked stainless steel butt hinges with necessary screws.	13.00	sqm		
39	Providing and fixing glazing in aluminium door, window, ventilator shutters and partitions etc. with PVC / neoprene gasket etc. complete as per the architectural drawings of engineer-in-charge. (Cost of aluminium snap beading shall be paid in basic item)(a) With 5. mm thickness reflective glass (antilio from Sant Gobain or equivalent of ASI)	23.00	sqm		
40	Providing and fixing roller blinds, the fabric should be screen openness of 5% and composition of 75% PVC 25% polyester with fabric weight of 465 GSM with fire resistance grade of NSPA 701, BS 586 part- II with anodized aluminium channel weight, bracket and hangers etc. the fabric will be approved colour and shed of approved manufacturer complete. Make (VISTA/MAC/Marvel	23.00	sqm		
41	Providing & Fixing of stainless steel cylindrical lock with a pair of handles (Dorset - Model No. CETO) all complete as per direction of engineer-in-charge.	6.00	Each		
	Electrical Work				

42	Wiring for light point/ fan point/ exhaust fan point/ call bell point with 1.5 sq.mm FRLS PVC insulated copper conductor single core cable in surface / recessed steel conduit, with modular switch, modular plate, suitable GI box and earthing the point with 1.5 sq.mm. FRLS PVC insulated copper conductor single core cable etc as required.				
42.1	Group C	72.00	Point		
43	Wiring for group controlled (looped) light point/fan point/exhaust fan point/ call bell point (without independent switch etc.) with 1.5 sq. mm FRLS PVC insulated copper conductor single core cable in surface/ recessed steel conduit, and earthing the point with 1.5 sq. mm FRLS PVC insulated copper conductor single core cable etc. as required.				
43.1	Group C	15.00	Point		
44	Wiring for light/ power plug with 2X4 sq. mm FRLS PVC insulated copper conductor single core cable in surface/ recessed steel conduit alongwith 1 No 4 sq. mm FRLS PVC insulated copper conductor single core cable for loop earthing as required.	230.00	Metre		
45	Wiring for light/ power plug with 4X4 sq. mm FRLS PVC insulated copper conductor single core cable in surface/ recessed steel conduit alongwith 2 Nos 4 sq. mm FRLS PVC insulated copper conductor single core cable for loop earthing as required.	160.00	Metre		
46	Wiring for circuit/ submain wiring alongwith earth wire with the following sizes of FRLS PVC insulated copper conductor, single core cable in surface/ recessed steel conduit as required.				
46.1	2 X 2.5 sq. mm + 1 X 2.5 sq. mm earth wire	110.00	Metre		
46.2	2 X 4 sq. mm + 1 X 4 sq. mm earth wire	120.00	Metre		
46.3	2 X 10 sq. mm + 1 X 6 sq. mm earth wire	30.00	Metre		
46.4	4 X 2.5 sq. mm + 2 X 2.5 sq. mm earth wire	30.00	Metre		
47	Supplying and drawing following sizes of FRLS PVC insulated copper conductor, single core cable in the existing surface/ recessed steel/ PVC conduit/ PVC trunking as required.				
47.1	3 x 2.5 sq. mm	130.00	Metre		
47.2	3 x 4 sq. mm	180.00	Metre		
47.3	6 x 4 sq. mm	80.00	Metre		
48	Supplying and fixing of following sizes of steel conduit along with accessories in surface/recess including painting in case of surface conduit, or cutting the wall and making good the same in case of recessed conduit as required.				

48.1	25 mm	30.00	Metre		
48.2	32 mm	20.00	Metre		
49	Supplying and fixing of following sizes of medium class PVC conduit along with accessories in surface/recess including cutting the wall and making good the same in case of recessed conduit as required.				
49.1	20 mm	20.00	Metre		
49.2	25 mm	20.00	Metre		
50	Supplying and fixing following modular switch/socket on the existing modular plate & switch box including connections but excluding modular plate etc. as required.				
50.1	5/6 amp switch	70.00	Each		
50.2	3 pin 5/6 amp socket outlet	70.00	Each		
50.3	15/16 amp switch	66.00	Each		
50.4	6 pin 15/16 amp socket outlet	66.00	Each		
50.5	Telephone socket outlet/ jack outlet	2.00	Each		
51	Supplying and fixing following size/ modules, GI/PVC box alongwith modular base & cover plate for modular switches in recess etc as required.				
51.1	1 or 2 Module (75mmX75mm)	5.00	Each		
51.2	3 Module (100mmX75mm)	40.00	Each		
51.3	6 Module (200mmX75mm)	30.00	Each		
51.4	8 Module (125mmX125mm)	6.00	Each		
51.5	12 Module (200mmX150mm)	6.00	Each		
52	Supplying and fixing modular blanking plate on the existing modular plate & switch box excluding modular plate as required.	20.00	Each		
53	Supplying and fixing 3 pin, 5 A ceiling rose on the existing junction box/ wooden block including connections etc. as required.	20.00	Each		
54	Supplying and installation of Surface mounting LED batten for T8 LED retro fit Lamp with 20 Watt LED tube light single side connection complete fixture with following features:- Suitable for operating voltage and frequency: 130-300 Va.c, 50 Hz.; wattage 20 Watts; Length 1200mm(+/-6%); Output lumens not less than 2000 lm; CCT 6500K; Nominal surge protection 2.5 kV;Power factor not less than 0.9, IP 54. Length 4 feet.;	20.00	Each		

55	Supplying and installation of Recess/ Surface mounting LED luminaire equipped with CRCA powder coating housing, anti glare polycarbonate diffuser with energy efficient electronic driver with following features:- Suitable for operating voltage and frequency: 130-300 Va.c, 50 Hz.; wattage not more than 36 Watts; Output lumens not less than 4300 lm; CCT 6000K; Dimension in mm (595X595); Nominal surge protection 2.5 kV; Power factor not less than 0.9;	20.00	Each		
56	Supplying and installation of Recess/ Surface mounting LED luminaire equipped with CRCA powder coating housing, anti glare polycarbonate diffuser with energy efficient electronic driver with following features:- Suitable for operating voltage and frequency: 130-300 Va.c, 50 Hz.; wattage not more than 36 Watts; Output lumens not less than 4300 lm; CCT 6000K; Dimension in mm (1195X295X70); Nominal surge protection 2.5 kV; Power factor not less than 0.9;	28.00	Each		
57	Supplying and installation of Recess/Surface mounting round LED luminaire equipped with die-cast aluminium / CRCA housing, anti glare polycarbonate diffuser with energy efficient electronic driver with following features:- Suitable for operating voltage and frequency: 130-300 Va.c, 50 Hz.; wattage not more than 12 Watts; Output lumens not less than 650 lm; CCT 6000K; Nominal surge protection 2.5 kV; Power factor not less than 0.9;	28.00	Each		
58	Supply, Installation, Testing and Commissioning of 1200 mm sweep, BEE 5 star rated, ceiling fan with Brush Less Direct Current (BLDC) Motor, class of insulation: B, 3 nos. blades, 30 cm long down rod, 2 nos. canopies, shackle kit, safety rope, copper winding, Power Factor not less than 0.9, Service Value (CMM/W) minimum 6.85, Air delivery minimum 215 CMM, 350 RPM (tolerance as per IS : 374- 2019), THD less than 10%, remote or electronic regulator unit for speed control and all remaining accessories including safety pin, nut bolts, washers, temperature rise=75 degree C (max.), insulation resistance more than 2 mega ohm, suitable for 230 V, 50 Hz, single phase AC Supply, earthing etc. complete as required.	5.00	Each		

59	Supplying and fixing two module stepped type electronic fan regulator on the existing modular plate switch box including connections but excluding modular plate etc. as required.	5.00	Each		
60	Providing and fixing M.S fan hook for ceiling fan including digging in RCC & making good the same complete as required.	5.00	Each		
61	Supplying and fixing of 450mm Wall mount fan complete with all accessories for use on 220/240 volts 50 HZ, single phase A/C Supply including connection with 1.5 sq. mm FRLS PVC insulated, copper conductor single/ multi core cable etc as reqd.	8.00	Each		
62	Supplying and fixing following way, single pole and neutral, sheet steel, MCB distribution board, 240 V, on surface/ recess, complete with tinned copper bus bar, neutral bus bar, earth bar, din bar, interconnections, powder painted including earthing etc. as required. (But without MCB/RCCB/Isolator)				
62.1	8 way, Double door	1.00	Each		
62.1	12 way, Double door	1.00	Each		
63	Supplying and fixing of following ways surface/ recess mounting, vertical type, 415 volts, TPN MCB distribution board of sheet steel, dust protected, duly powder painted, inclusive of 200 amps tinned copper bus bar, common neutral link, earth bar, din bar for mounting MCB's (but without MCB's and incomer) as required . (Note : Vertical type MCB TPDB is normally used where 3 phase outlets are required.) and should have provision for MCCB as incomer.				
63.1	12 way (4 + 36), Double door	1.00	Each		
64	Supplying and fixing Cable End Box (Loose Wire Box) suitable for following single pole and neutral, sheet steel, MCB distribution board, 240 Volts, on surface/ recess, complete with testing and commissioning etc. as required. For 8/12 way, Double door SPN MCBDB	2.00	Each		
65	Supplying and fixing Cable End Box (Loose Wire Box) suitable for following triple pole and neutral, sheet steel, MCB distribution board, 415 Volts, on surface/ recess, complete with testing and commissioning etc.as required. For 8/ 12 way, Double door TPN MCBDB.	1.00	Each		

66	Supplying and fixing 5 amps to 32 amps rating, 240/415 volts, "C" curve, miniature circuit breaker suitable for inductive load of following poles in the existing MCB DB complete with connections, testing and commissioning etc. as required.(Make- Legrand/ Havells/ Seimens/ Crompton/ L&T).				
66.1	Single pole	50.00	Each		
66.2	Double pole	5.00	Each		
66.3	Triple pole	2.00	Each		
67	Supplying and fixing following rating, double pole, (single phase and neutral), 240 V, residual current circuit breaker (RCCB), having a sensitivity current 300 mA in the existing MCB DB complete with connections, testing and commissioning etc. as required.(Make- Legrand/ Havells/ Seimens/ Crompton/ L&T).				
67.1	63 Amp	2.00	Each		
68	Supplying and fixing DP sheet steel enclosure on surface/ recess along with 25/32amps 240 volts "C" curve DP MCB complete with connections, testing and commissioning etc. as required.	3.00	Each		
69	Supplying and fixing 20 A, 240 V, SPN Industrial type socket outlet, with 2 pole and earth, metal enclosed plug top alongwith 20 A "C" curve, SP, MCB, in sheet steel enclosure, on surface or in recess, with chained metal cover for the socket out let and complete with connections, testing and commissioning etc. as required. (Make- Legrand/ Havells/ Seimens/ Crompton/ L&T).	2.00	Each		
70	Supplying and fixing 100 amps, 16 KA, TP MCCB in the existing TPN Distribution board/ panel board including testing & commissioning etc. complete as required.(Make- Legrand/ Havells/ Seimens/ Crompton/ L&T).	2.00	Each		
71	Supply and installation of SS enclosure duly powder Coated paint for housing incoming MCCB 4P, of appropriate size with incoming and outgoing opening, suitable to accommodate upto 70sqmm, 3.5 core aluminium armoured cable,with louvers for heat dissipation and mounting hole for easy wall mounting. (matter: AC / Normal / Emergency Power) etc. as required . (Make: L&T / Schneider / Legrand / Havells / C&S / Siemen / ABB)	1.00	Each		
72	Providing and fixing DLP plastic trunking of size 105 mm x 50 mm without cover on surface as reqd. (Make- Legrand).				

72.1	DLP Trunking	30.00	Mtr.		
72.2	Flexible cover 85 mm	30.00	Mtr.		
72.3	End cap	5.00	Each.		
72.4	Internal angle.	6.00	Each.		
72.5	External angle	6.00	Each.		
72.6	Flat angle	6.00	Each.		
72.7	cover joint	6.00	Each.		
72.8	Base joint	6.00	Each.		
72.9	6/8 Modules clip on frame with finishing plate for 85 mm cover	8.00	Each.		
72.10	Modular 5/6 amps switch on the existing modular plate & switch box / channel including connection.	4.00	Each.		
72.11	Modular 5/6 amps socket on the existing modular plate & switch box including connection.	4.00	Each.		
72.12	Modular 16A/20 amps switch on the existing modular plate & switch box / channel including connection.	4.00	Each.		
72.13	Modular 6/16 amps multi socket on the existing modular plate & switch box including connection.	4.00	Each.		
73	Supplying, installation DLP mini- trunking 32mm x 20mm and accessories white-system with independent cover- without central partion etc. as reqd.(Make- Legrand).				
73.1	Mini- trunking	60.00	Mtr.		
73.2	End cap left or right	4.00	Each.		
73.3	Internal/ external angle	5.00	Each.		
73.4	Flat angle	5.00	Each.		
73.5	Flat junction	5.00	Each.		
74	Dismantling, disconnecting old damaged unserviceable fl fitting/ exhaust fan/ ceiling fan/ bulkhead fitting with bracket etc. as reqd.	40.00	Each		
75	Dismantling of switch / socket /regulator etc. with wooden board as reqd.	30.00	Each		
76	Dismantling damaged DB/TPN Switches/ loose wire boxes along with all accessories as req	3.00	Each		

77	Supplying and drawing telephone cable of 2 pair 0.5 mm dia FRLS PVC insulated annealed copper conductor, unarmored telephone cable in the existing surface/ recessed steel/ PVC conduit as required.	30.00	Mtr.		
78	Supplying and fixing of RJ 45 input and output jack in the existing plate including termination.	4.00	Each		
79	Supplying and fixing of 250 mm size fresh air fan complete with suitable size louvers with all accessories suitable for use on 230 V , 50 Hz supply in the existing opening, including making good the damage , connection, testing and commissioning etc. as required.as required (Make- Havells/ Usha/ Bajaj/ Orient).	3.00	Each		
80	Supplying and drawing of UTP 4 pair CAT 6 LAN Cable in the existing surface/ recessed Steel/ PVC conduit as required. 1 Pair	50.00	Metre		
81	Supplying and making end termination with brass compression gland and aluminium lugs for following size of PVC insulated and PVC sheathed / XLPE aluminium conductor cable of 1.1 KV grade as required.				
81.1	4 X 16 sq. mm (28mm)	4.00	Each		
81.1	3½ X 50 sq. mm (35mm)	2.00	Each		
82	Supplying and laying of PVC insulated, PVC sheathed XLPE aluminium conductor armored cable of Following size, 1.1 KV grade, direct in ground including excavation, sand cushioning, protective covering and refilling the trench etc. as required. etc. as required [conforming to I.S-1554/1/8]. (Make- Havells/ Gloster/ Polycab/ RR kabel/ KEI/ Universal).				
82.1	4 X 16 sq. mm	3.00	Mtr.		
82.2	3½ X 50 sq. mm	2.00	Mtr.		
83	Supplying and laying of PVC insulated, PVC sheathed XLPE aluminium conductor armored cable of Following size, 1.1 KV grade in the existing RCC/ HUME/ METAL pipe as required. [conforming to I.S-1554/1/8]. (Make- Havells/ Gloster/ Polycab/ RR kabel/ KEI/ Universal).				
83.1	4 X 16 sq. mm	5.00	Mtr.		
83.2	3½ X 50 sq. mm	5.00	Mtr.		

84	Supplying and laying and fixing of PVC insulated, PVC sheathed XLPE aluminium conductor armored cable of Following size, 1.1 KV grade on wall surface as required. Upto 35 sq. mm (clamped with 1 mm thick saddle)/Above 35 sq. mm and upto 95 sq. mm (clamped with 25x3mm MS flat clamp) [conforming to I.S-1554/1/8]. (Make- Havells/ Gloster/ Polycab/ RR kabel/ KEI/ Universal).				
84.1	4 X 16 sq. mm	25.00	Mtr.		
84.2	3½ X 50 sq. mm	35.00	Mtr.		
85	Providing and fixing 6 SWG dia G.I. wire on surface or in recess for loop earthing along with existing surface/ recessed conduit/ submain wiring/ cable as required.	150.00	Metre		
86	Earthing with G.I. earth pipe 4.5 metre long, 40 mm dia including accessories, and providing masonry enclosure with cover plate having locking arrangement and watering pipe etc. with charcoal/ coke and salt as required.	2.00	Each		
87	Supplying and laying 25 mm X 5 mm G.I strip at 0.50 metre below ground as strip earth electrode, including connection/ terminating with G.I. nut, bolt, spring, washer etc. as required. (Jointing shall be done by overlapping and with 2 sets of G.I. nut bolt & spring washer spaced at 50mm)	15.00	Mtr.		
88	Providing, laying, and fixing following dia G.I. pipe (medium class) in ground complete with G.I. fittings including trenching (75 cm deep) and re-filling etc as required				
88.1	50 mm dia	10.00	Mtr.		
Fire Alarming & Public address system					
89	Supplying, installation, testing & commissioning of main control and indicating panel made out of 16 SWG MS sheet to accommodate the following items duly powder coated in approved colour with louvers for ventilation, locking arrangement, audio and visual indication for fire alarm and public address system, monitoring system including connections, interconnections etc complete as required. 10 Zone panel for fire alarm system 250 Watt amplifier racks suitable for operation on 230V AC/24V DC supply conforming to IEC-268-3 complete with all accessories as required - 2 Nos.(one to act as standby) Talk back master station with LED PTT (press to talk) push button for operation on 230V AC/24 V DC supply conforming to IEC-268 for simplex mode of operation/communication suitable for 20 nos. talk back unit -1 set. Announcement control desk suitable	1.00	Each		

	<p>for selection of different zones selectively and ON ALL CALL switch with visual indication etc. complete as required -1 set. Amplifier change over switch for inter changing amplifier -1 No. Monitor panel for loudspeaker complete with output selector, ON/OFF switch, fuse, visual indications etc. complete as required- 1 No. Gooseneck microphone with stand and ON/OFF switch- 1 No. Main ON/OFF switch, fuse indication lamps, DC and AC voltmeters & ammeters, terminal blocks etc. complete as required -1 set. Battery charger trickle cum boost to take complete load of fire alarm & PA system complete with all accessories including providing & fixing of 2 nos.12 volt, 60 AH each sealed maintenance free batteries -1 set.(Make :- Notifier, Johnson Control, Meltron.)</p>				
90	<p>Supplying, installation, testing & commissioning of smoke detector with builtin LED and mounting base complete with all connections etc. as required. (Make:- Honeywell, Bosch, Cooper)</p>	40.00	Each		
91	<p>Supplying, installation, testing & commissioning of heat detector operating at 54°C/57°C with rate of rise cum fixed temperature (dual thermistor) type with mounting base complete with all connection etc. as required. (Make: - Honeywell, Bosch, Cooper)</p>	1.00	Each		
92	<p>Supplying, installation, testing & commissioning of manual call box of ABS type in surface/recess with stainless steel chain & hammer assembly complete with glass and push button etc. as required. (Make: - Honeywell, Bosch, Cooper)</p>	2.00	Each		
93	<p>Supplying, installation, testing & commissioning response indicator on surface/recess MS box having two LEDs metallic cover complete with all connections etc. as required. (Make: - Honeywell, Bosch, Cooper)</p>	2.00	Each		
94	<p>Supplying, installation, testing & commissioning fire alarm sounder with facility to make announcement, mounted in A.B.S. box with hinged cover plate & suitable for operation with amplifier i/c line matching transformer etc. complete as required. (Make: - Honeywell, Bosch, Cooper)</p>	2.00	Each		

95	Supplying, installation, testing & commissioning talk back slave station in surface/recess suitable for operation on simplex mode complete with P.T.T. knob & speaker/microphone enclosed in a M.S.(16 SWG)/ ABS box with break glass in front etc. complete as required.(Make:- Honeywell, Bosch, Cooper)	1.00	Each		
96	Supplying & laying of 2x1.5 sqmm fire alarm armoured cable, 600/1000V rated with annealed copper conductor having XLPE insulation, steel wire armouring & FRLS outer sheath complete as required.(Make- Havells/ Gloster/ Polycab).	300.00	Metre		
97	Supplying & fixing of powder coated extruded aluminium Supply Air Grills with aluminium volume control dampers as per specifications.	20.00	Sq mtr		
98	Supplying & fixing of powder coated extruded aluminium Return Air Grills with louvers but without volume control dampers complete as required.	15.00	Sq mtr		
100	[--] Less Credit for Dismantled Materials. (These are tentative, may vary as per actual.)				
101	Less buyback of T5/ tube light/ old conventional fittings etc. on as is where is basis.	20.00	Nos.		
102	Less buyback of 5/15 Amp piano Switch etc. on as is where is basis.	30.00	Nos.		
103	Less buyback of 5/15 Amp piano Socket etc. on as is where is basis.	30.00	Nos.		
104	Less buyback of old aluminium wiring on as is where is basis.	1.00	Lot.		
105	Firewood etc.	1500.00	kg		
106	Old scrap aluminium sections of various size and thickness.	250.00	kg		
107	Old cement asbestos or other hard board ceiling	250.00	kg		
108	Old Chairs	130.00	Each		
			Grand Total		

1. No labour huts shall be allowed in IIT Campus, and nothing shall be paid extra on this account.
2. The contractor must visit the site of work /buildings before quoting the rates.
3. No labour to stay in IIT Campus nothing shall be paid extra on this account.
4. Site shall be available as per directions of Engineer in Charge.
5. Quoted rates of participating agencies shall be inclusive of GST.