

**Department of Chemical Engineering
Indian Institute of Technology Delhi
HauzKhas, New Delhi- 110016, INDIA**

NOTICE INVITING QUOTATION

Dated:21.03.2013

Sealed quotations in separate envelop of technical and commercial bid kept in a one sealed outer envelope are invited for purchase of asplit high temperature Furnace for Fluidised Bed reactor systems as per specifications given below.

Specifications for Split High Temperature furnace

Split, make Furnace

Single zone, For 19.05 mm OD reactor tube x 250 mm L,

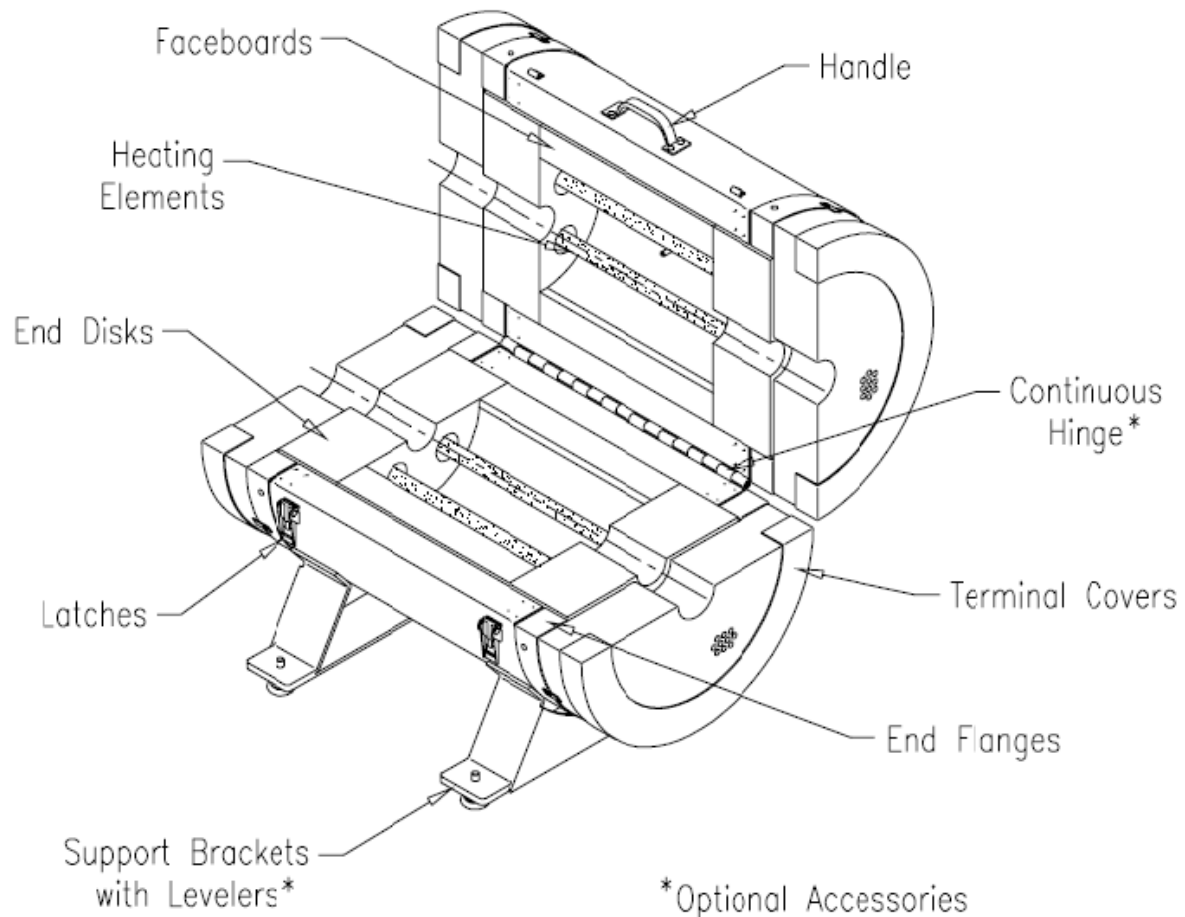
Temperature Range: - 1000 Deg C

Standard Furnances for one or two heating zones; Custom zone arrangements with heating Elements: Kanthal Super (MoSi_2). Kanthal Super (Molybdenum disilicide (MoSi_2) heating elements or Nichrome: 1850 °F (1000 °C), available from stock and easily replaceable in the laboratory, as well as a low K-factor vacuum cast ceramic fiber insulation for super energy retention.

Furnaces feature should have a rugged stainless steel case, a durable interior, and a full opening front door for unrestricted access to the heating chamber.

It should have the custom sizes, accessories and features including load train ports, thermocouples, view ports, gas tight retorts, temperature control systems.

Differential pressure Switching (in Psi) for the fluidized bed Reactor operation starting from bottom of reactor upto the cyclone separator (as an accessories);either (Indfos D Series Differential Pressure Switches or Danfoss or new Ashcroft models)



Necessary Terms and Conditions:

IIT Delhi is exempted from paying custom duty under notification No.51/96(partially or fully) and necessary "Custom Duty Exemption Certificate" can be issued after providing following information.

- a) Shipping details i.e. Master Airway Bill No. and House Airway No. (if exists)
- b) Forwarder details i.e. Name, Contact No., etc. Custom Duty Exemption

Certificate will be issued to the shipment in the name of the Institute and Bills of Entry should be submitted to IIT Delhi later on.

IIT Delhi is exempted from paying Excise Duty and necessary Excise Duty Exemption Certificate will be provided for which following information are required.

- a) Quotation with details of Basic Price, Rate & Amount on which ED is applicable.

Imported items should be quoted on FOB basis (Freight on Board) and FOB price be provided.

Indian agent should be enlisted with the Department of expenditure, Ministry of Finance, Govt. of India.

Letter from manufacturer specifically to quote for this tender is to be attached for authenticity of dealership/agency and dealer should be authorized service provider.

Vendor should get a fresh certificate from their principal's clearly mentioning about on site comprehensive warranty for three years after installation of the system, and 2 years free service after the warranty period.

Special discount/rebate wherever admissible keeping in view of that the supplies being made for Educational purpose in respect of public institution of national importance may please be indicated.

Vendor should attach the relevant product brochure/leaflet for the model quoted and the offered technical specification must be supported by the printed brochure.

Validity of the quotation should be at least more than 3 months.

Vendor will do the installation, demonstration and on site training for the machine without any extra cost at IIT Delhi premises.

Taxes, terms and conditions should be clearly mentioned.

Proprietary certificate must be included for the item, if applicable.

Valid agency certificate must be included, if applicable.

Institute reserves the right to accept or reject any quotation without showing reasons.

- TECHNICAL and FINANCIAL bids are to be provided in separate sealed envelopes. Mark the two envelopes clearly as "Technical Bid" and "Financial Bid". Both the sealed envelopes should be sent in a single sealed envelope, clearly marked as "Quotations for Automatic Bomb Calorimeter."
- Please quote prices at FOB/ CIF New Delhi, inclusive of installation charges.
- Quote should be in Indian Rupees as well as suitable foreign currency, and be valid for at least three months.
- Clearly indicate the tax component of the prices quoted. If prices are inclusive of tax, please mention.
- Please include any shipping/transport costs in the price.
- If the items quoted are proprietary in nature, please enclose proprietary certificate from the principals stating "Certified that ----- is a proprietary item of M/s and no other manufacturer makes these items".

- Should a purchase order be placed, please state schedule of delivery and installation.
- The equipment should be delivered and installed by the supplier as part of the supply process in the Department of Chemical Engineering, IIT Delhi.
- In case of service related orders the vendor authorizes IIT Delhi to deduct the service tax at prevalent rates while releasing payment.
- If the quote is being submitted by the representative of the Principals/ manufacturersthemselves, a valid Agency ship/ Dealership Certificate authorizing the agent to quote to IIT Delhi on behalf of Principals should be enclosed.
- If the bidder is Indian agent, the agency certificate should be enclosed.
- One year comprehensive on-site warranty (Parts and labour) required. Extended warranty may be quoted separately.
- Required and standard accessories may be quoted separately.
- Indicate if a special discount/ rebate, wherever admissible, is provided in view of the fact that the supplies are being purchased for academic purposes in a Public Institution of national importance.
- A compliance statement of specifications should be attached.
- The Institute/ Purchase Committee have the right to accept/reject any/all bid/quotations without assigning any reasons whatsoever.

Sealed quotation should be addressed to and be submitted to Prof. K. K. Pant, Department of Chemical Engineering, Lab (Block II-185) - IIT Delhi, latest by 4.00 PM on 10.04.2013. (011-26596177)

Payment Options:

- As per Institute Rules and Regulations.

Mr. Vishesh Kumar

Department of Chemical Engineering

Indian Institute of Technology Delhi

HauzKhas, New Delhi- 110016, INDIA